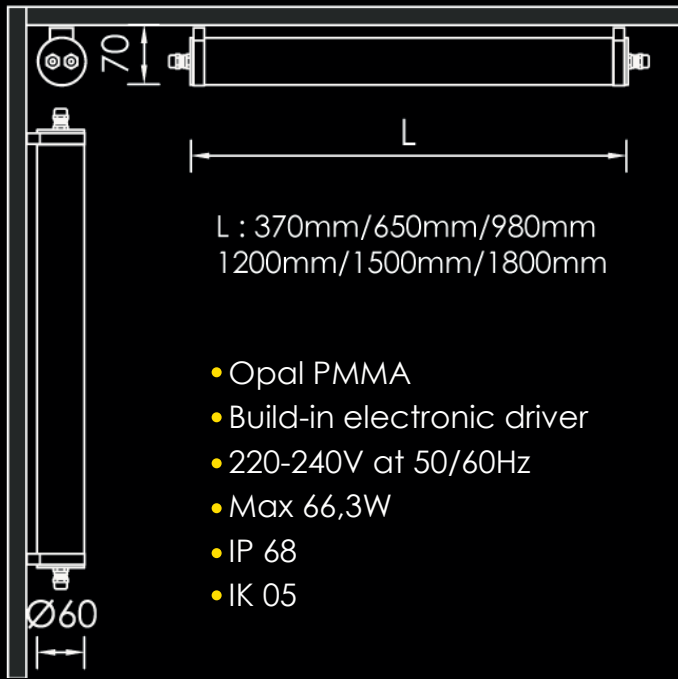




## NINIO 2 OPAL LINEAR LED 3 INOX



- Opal PMMA
- Build-in electronic driver
- 220-240V at 50/60Hz
- Max 66,3W
- IP 68
- IK 05

The **NINIO 2 OPAL LINEAR LED 3 INOX** luminaire utilizes the latest technologies in industrial and urban lighting. Made of resilient materials, such as extruded Plexiglas, with Inox seal components, it maintains excellent resistance to extreme internal and external conditions. Due to its compact design and easy-restraint system, installation is made simple. Also the fixture encompasses a LED continuous optical system, of the latest technology, with a long life and a built-in driver, which ensures its successful installation in tunnels and underground passages, where access for continuous maintenance is difficult. Both its design and its technology, offer a reliable lighting system of high energy efficiency and user safety, with uniform lighting diffusion. This luminaire is fully compliant with European and international standards.

