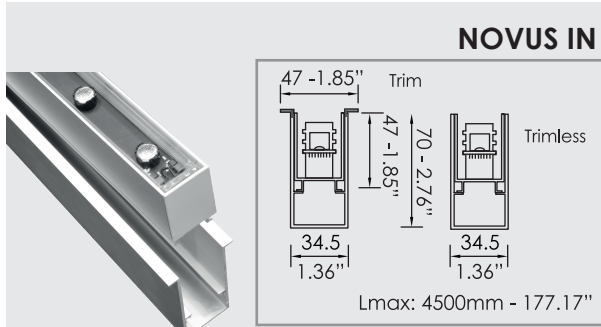


FACADE LIGHTING



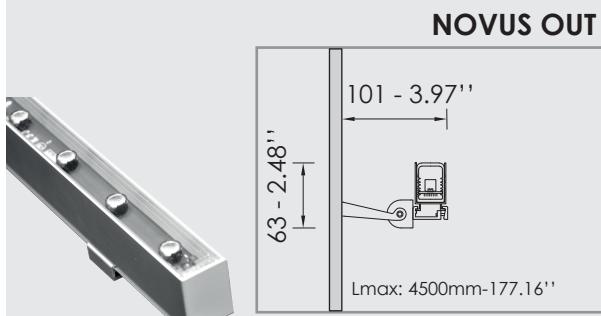
NOVUS IN HPLed Lens



NOVUS IN HPLed REF



NOVUS IN Tape Led Lens



NOVUS OUT HPLed Lens



NOVUS OUT HPLed REF



NOVUS OUT Tape Led Lens

Facades of buildings need contrast. Using practical solutions, building features can be subtly picked out. Following international standards and applying a traditional approach to light planning, allows us to illuminate an area with a uniform level of brightness, as well as embracing the challenge of new LED technology to develop and deliver a unique product.

Digital Lighting is the fourth dimension of Architecture and Design. Our Experience in the Building process reflects in the system design and offers extra support to the clients.

In a discerning market expecting the highest standards, BRIGHT offers the necessary process quality, flexibility and global reach to develop sustainable concepts that go far beyond short-lived trends.

BRIGHT products offer new dimensions in lighting design. All products are equipped with the latest in LED technology. Our high IP rated product range covers a wide variety of lighting characteristics, offering appropriate solutions for all manner of projects.

The luminaires' adjustable light beams provide uniform illumination, equipping the designer with a range of lighting tools for efficient visual comfort where required.

The light is focused and intense, providing a precise and powerful beam directly onto the subject.

