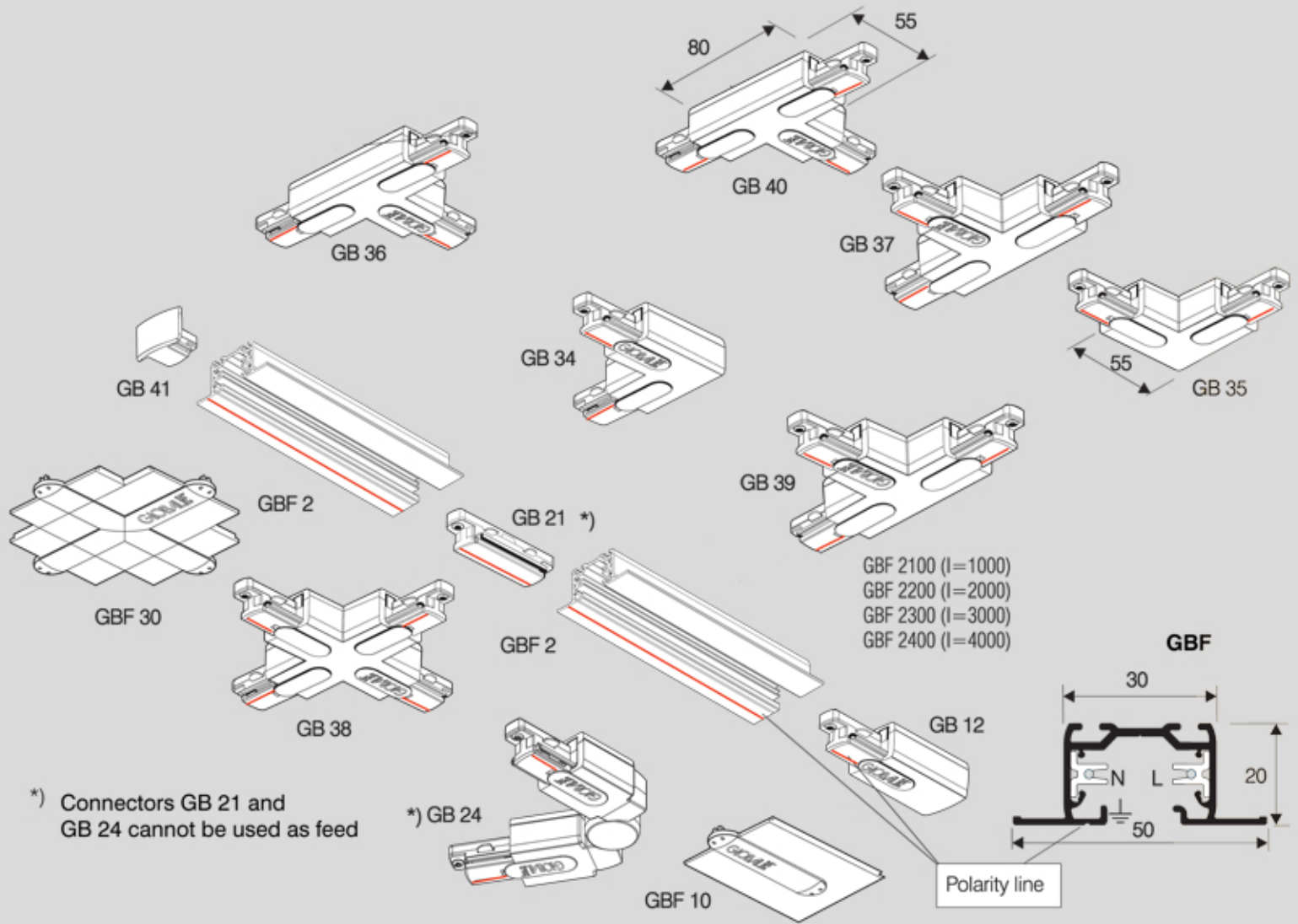
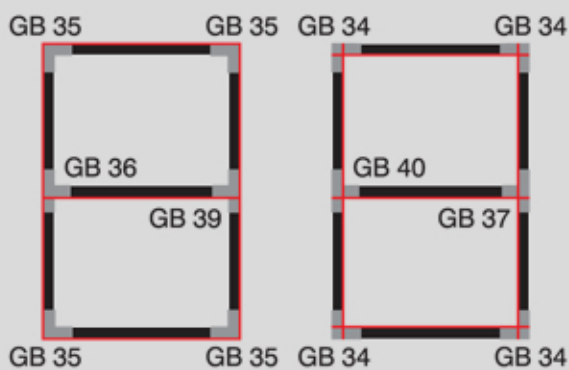
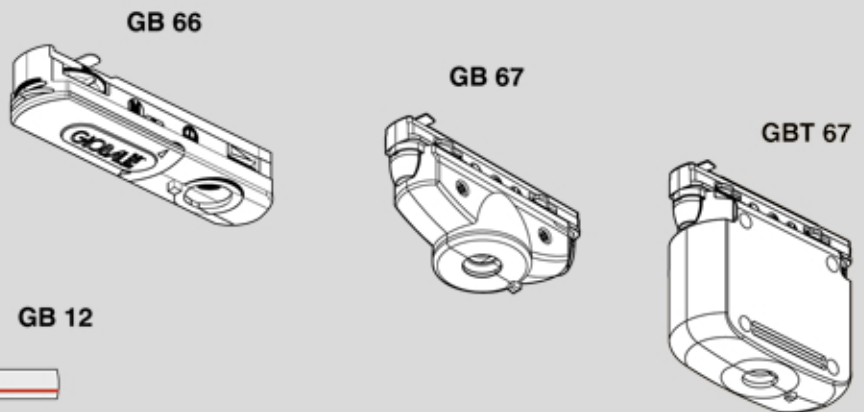


1-Circuit Lighting Track System



Use of L- and T-accessories

Red line indicates ground



Connection

230 V, 16 A, 3.7 kW

max. 16 A

