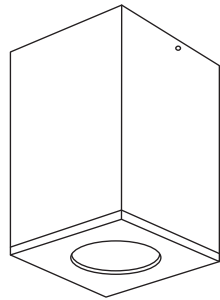
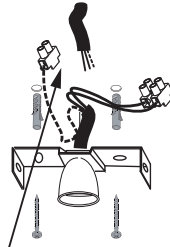


PENDO M SQUARE CEILING

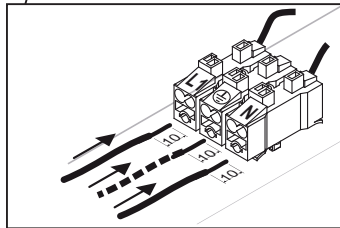
INSTALLATION INSTRUCTIONS FOR LUMINAIRE PENDO M SQUARE CEILING



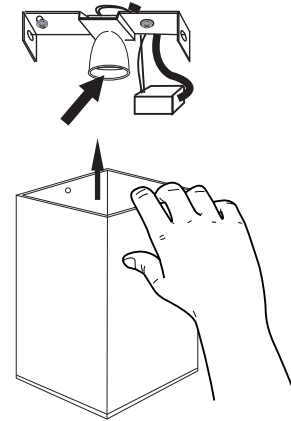
1 Make hole pattern
Fit the metal stripe on ceiling



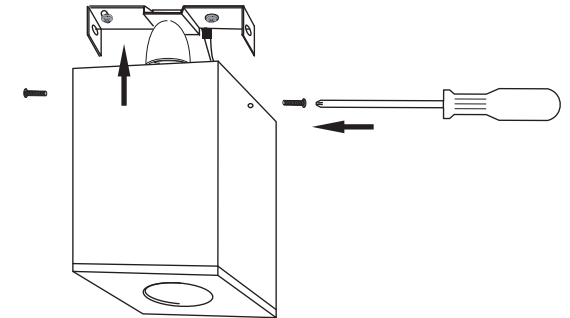
Make wiring connections



2 Insert lamp



3 Adjust the fitting on the metal stripe and tighten the holding screws



USER INSTRUCTIONS

- The installation of the unit must be done by a qualified electrician.
- The unit must be earthed in case an earth connecting point exists.
- Ensure that the mains is switched off during servicing.
- Do not use bulb(s) bigger than the indicated on units name-plate or packaging.
- Ensure that after the installation, the unit is properly fixed and the cable clamps (if exist) are well tightened.
- Manufacturer will not accept liability for injury or damage resulting from incorrect use or installation
- The unit is not intended to operate in loop connection.
- Wall plugs and terminals are not included.

Date Issued: October 2016/3

BRIGHT
SPECIAL LIGHTING

www.bright.gr

Factory: 5 Kefalovrisou Str., Monomati, Axarnai, P.O. Box 13677, Athens, Greece
Tel: (+30) 210 6208 230 Fax: (+30) 210 62 08 262



CE



GREENLIGHT