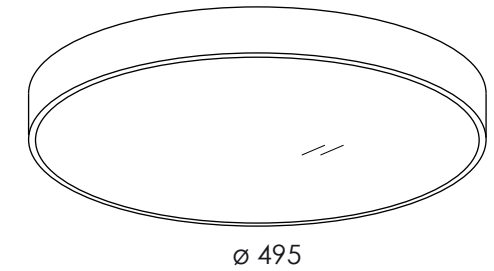


FIRMUS 50

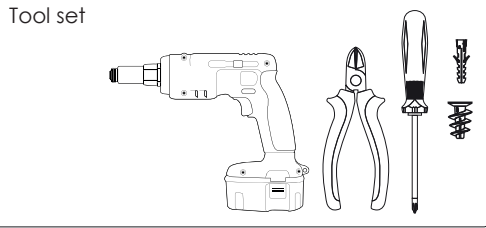
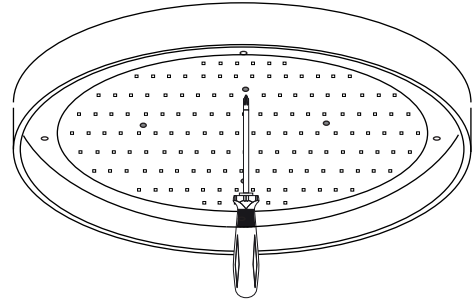
installation instructions



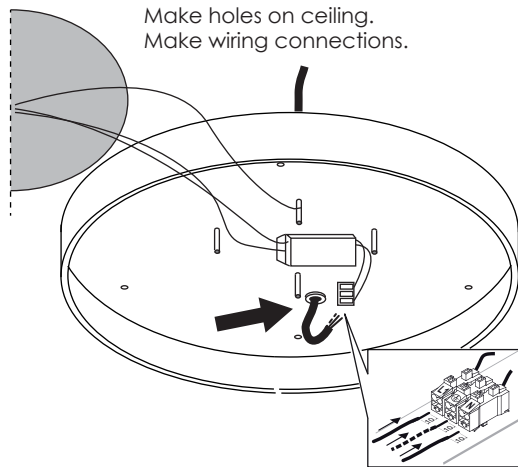
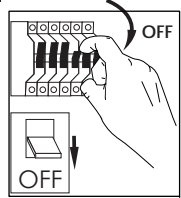
↻ indoor/ ceiling mounted



1

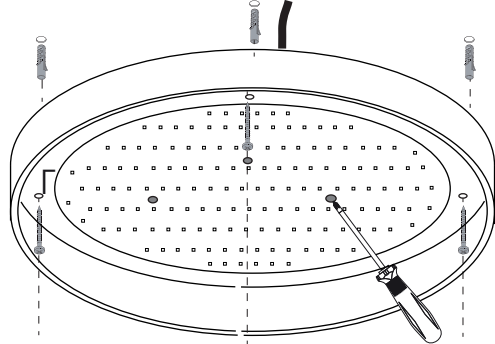


2



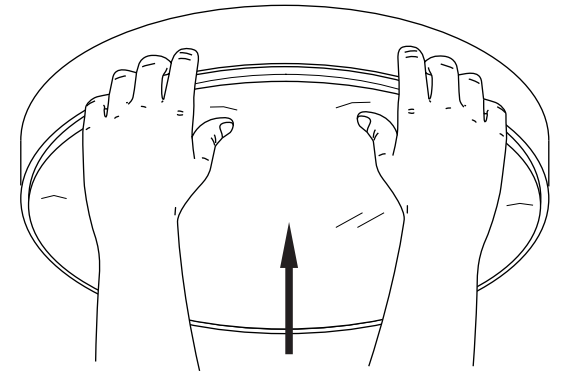
3

Screw the fixture on ceiling. Fit LED board.

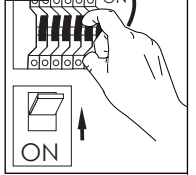


4

Fit one side of the cover into the fixture and then push the other one in it gently.



5



USER INSTRUCTIONS

- The installation of the unit must be done by a qualified electrician.
- The unit must be earthed in case an earth connecting point exists.
- Ensure that the mains is switched off during servicing.
- Ensure that after the installation, the unit is properly fixed and the cable clamps (if exist) are well tightened.
- Manufacturer will not accept liability for injury or damage resulting from incorrect use or installation
- The unit is not intended to operate in loop connection.
- Wall plugs and terminals are not included.
- LED modules are replaced only by the manufacturer.

CAUTION
Wear anti-static gloves before you touch LED systems



CAUTION
Replace any cracked shield



Factory
5 Kefalovrisou Str., Monomati, Acharnai, P.O. Box 13677, Athens, Greece | Tel: (+30) 210 6208 230
E-mail: info@bright.gr | www.bright.gr

