

BACKLIGHT PANEL PRISMATIC UGR



■ PRODUCT BENEFITS

- UGR <19
- Up to 125Lm / W
- 3-5 years warranty
- PMMA lens New ERP complied
- 32mm thickness, 0.3mm steel back plate

■ AREAS OF APPLICATION

- Working Spaces
- Interior Common Spaces
- Circulation Areas
- Offices

■ EQUIPMENT / ACCESSORIES

- Ceiling Mounted Box



- Clips for Recessed



- Suspension Set



TECHNICAL DATA

Electrical Data

Nominal Voltage	230V
Mains frequency	50 Hz
Power Factor λ	0.95
Output Current Ripple	<3%

Drivers



Philips flicker free

Photometric Data

Standard deviation of color matching (SDCM)	< 3step
CRI	80 / 90upon request
CCT	3000K / 4000K
Luminous efficacy	Up to 125 lm/W
Light emission	Direct 120 Degrees

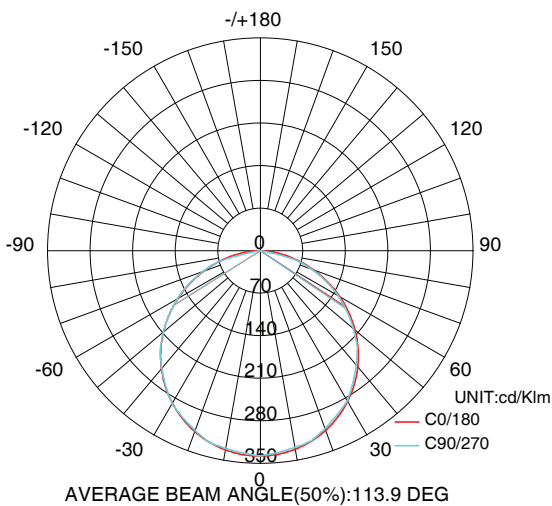
TECHNICAL DATA

Luminaire Output Data

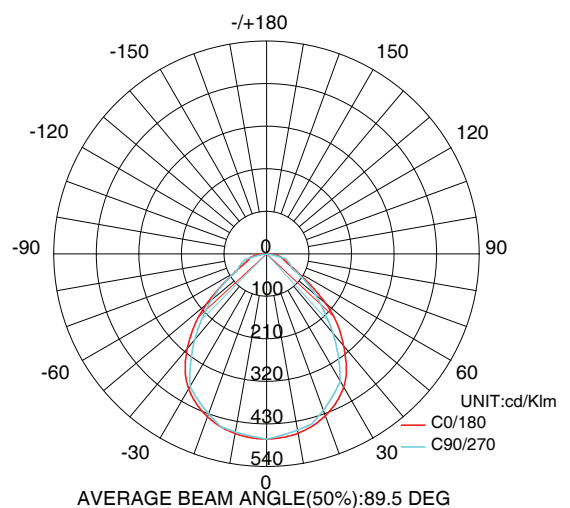
CRI80			
Power supply	Watt	Lumen	Kelvin
900ma	32	3800	3000
1050ma	38	4550	3000
900ma	32	4000	4000
1050ma	38	4750	4000

CRI90			
Power supply	Watt	Lumen	Kelvin
900ma	32	3700	3000
1050ma	38	4350	3000
900ma	32	3800	4000
1050ma	38	4550	4000

Luminous Intensity distribution diagram



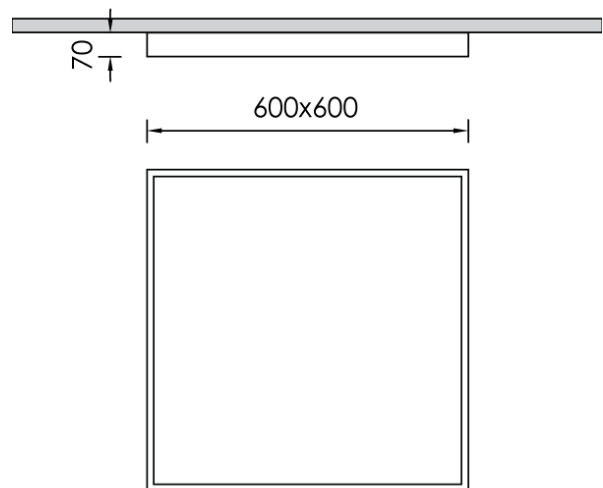
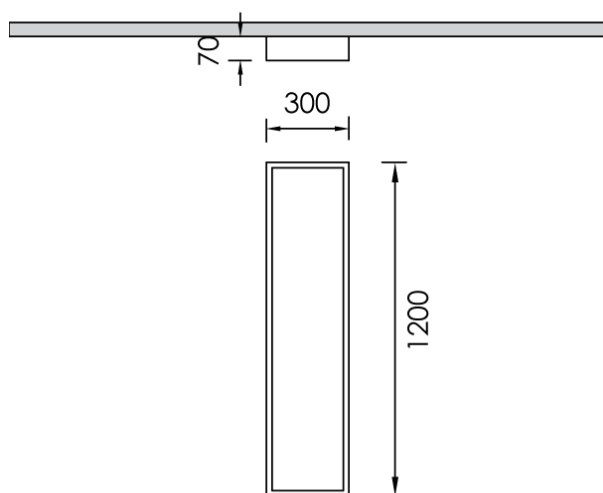
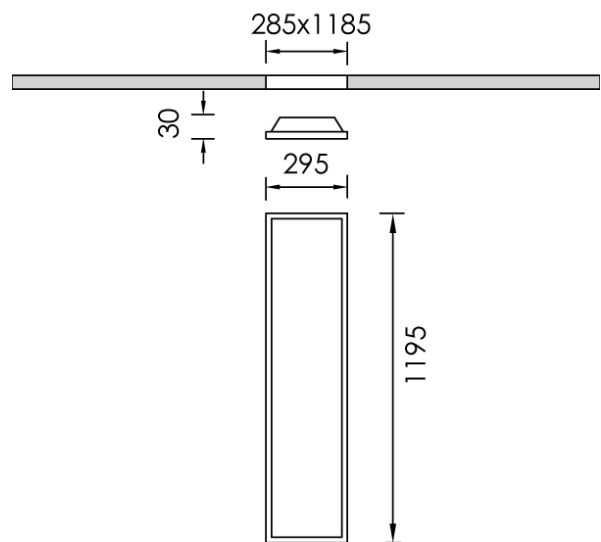
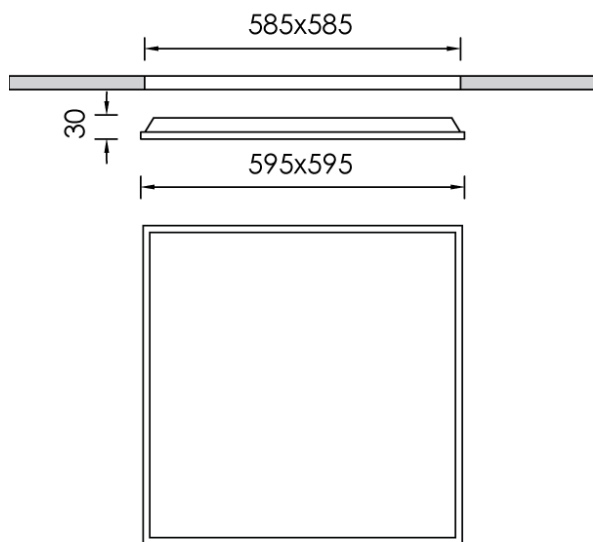
UGR<22



UGR<19

TECHNICAL DATA

■ Dimensions



TECHNICAL DATA

■ Colors & Materials

Body material	Pressed form Steel
Housing color	White
Diffuser material	Prismatic

■ Temperatures & Operating Conditions

Ambient Temperature Range	0 to 45 Celsius
Ambient Relative Humidity Range	10% - 95%
Storage Temperature	-10 to 75 Celsius
Max. Ambient Temperature for Lifetime	25 Celsius

Lifetime L70 at 25Celsius

■ Safety Characteristics

Ingress Protection (IP)	20
-------------------------	----

■ General Characteristics

Wireless Connectivity	Dali 1 - 10V
Mounting Type	Recessed / Pendant / Mounted on Ceiling

For warranty details see:

https://www.bright.gr/uploads/files/2018/10/warranty_periods_v1_5_4696.pdf

Warranty terms and conditions:

https://www.bright.gr/uploads/files/2018/07/3013_3244.pdf