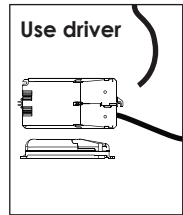
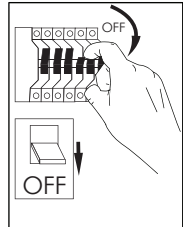
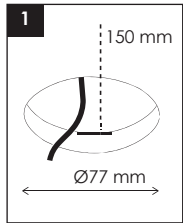
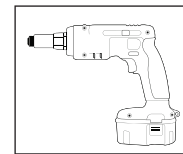




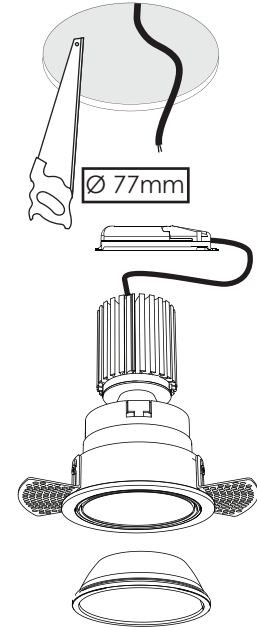
indoor/ downlights



Tool accessories

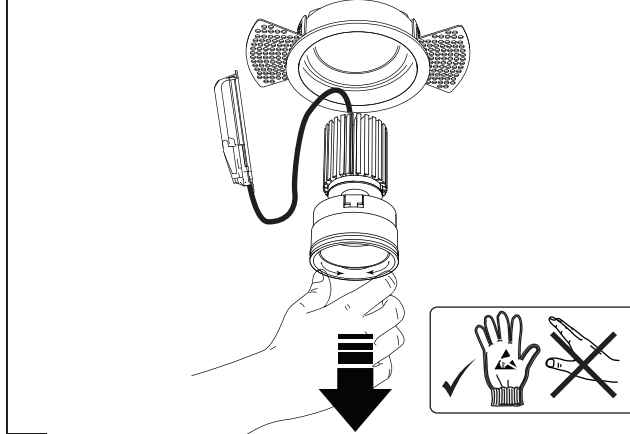


**Installation**  
Cut the ceiling

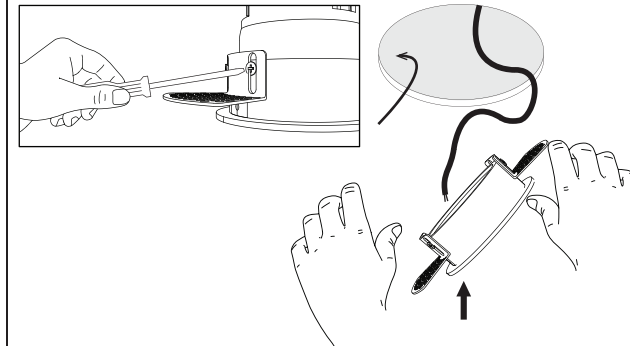


Remove the shade

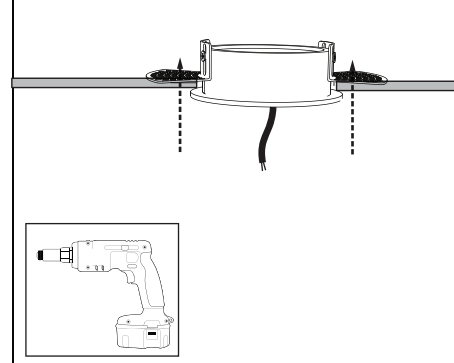
**2** Remove the inner shade and source.



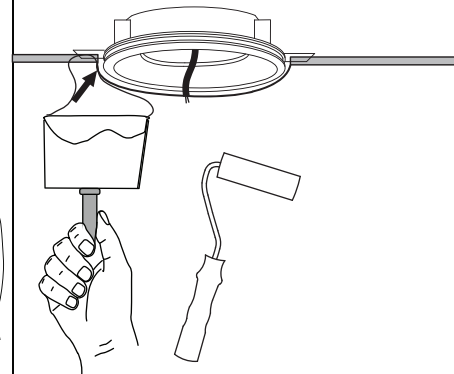
**3** Adjust the false ceiling brackets and then fit the fixture in the ceiling.



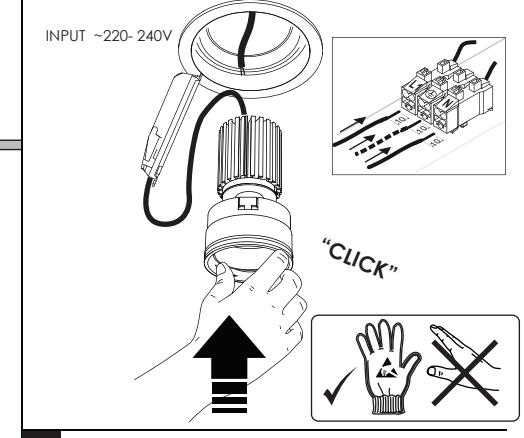
**4** Screw the fixture on ceiling  
Hold the luminaire while using the drill.



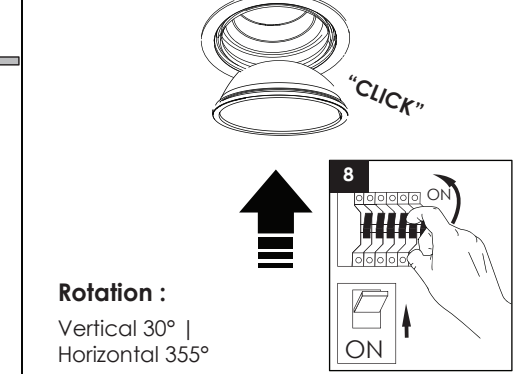
**5** Grouting. Paint the false ceiling



**6** Make wiring connection



**7** Fit the shade



**Rotation :**  
Vertical 30° |  
Horizontal 355°

**USER INSTRUCTIONS**

- The installation of the unit must be done by a qualified electrician.
- The unit must be earthed in case an earth connecting point exists.
- Ensure that the mains is switched off during servicing.
- Do not use bulb(s) bigger than the indicated on units name-plate or packaging.
- Ensure that after the installation, the unit is properly fixed and the cable clamps (if exist) are well tightened.
- Manufacturer will not accept liability for injury or damage resulting from incorrect use or installation
- The unit is not intended to operate in loop connection.
- Wall plugs and terminals are not included.
- LED modules are replaced only by the manufacturer.

**CAUTION**

Wear anti-static gloves before you touch LED systems

