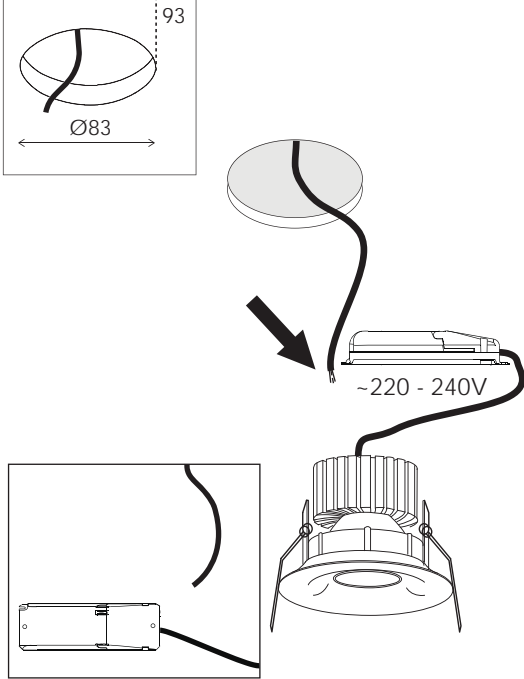


STELLA 4 S.S.LED

INSTALLATION INSTRUCTIONS OF LUMINAIRE STELLA 4 S.S.LED

1

Installation

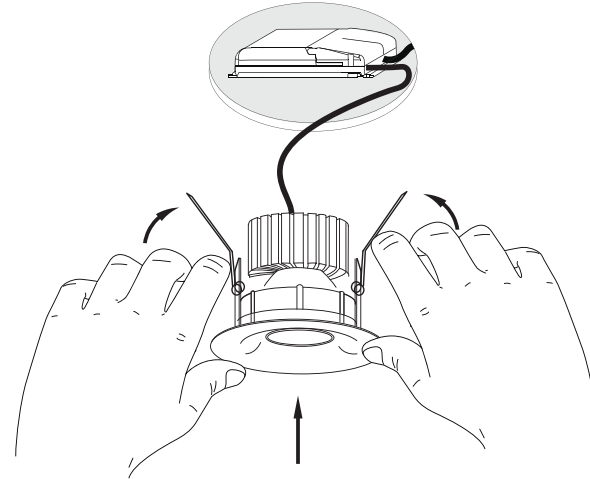


Cut hole on the ceiling

Make wiring connections

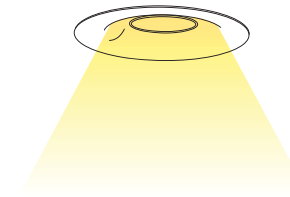
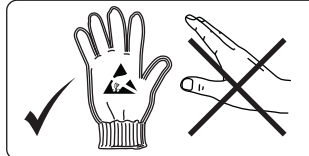
2

Bend the springs upwards to fit the luminaire on ceiling



CAUTION

Wear anti-static gloves before you touch LED systems

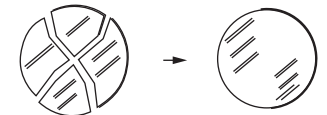


USER INSTRUCTIONS

- The installation of the unit must be done by a qualified electrician.
- The unit must be earthed in case an earth connecting point exists.
- Ensure that the mains is switched off during servicing.
- Do not use bulb(s) bigger than the indicated on units name-plate or packaging.
- Ensure that after the installation, the unit is properly fixed and the cable clamps (if exist) are well tightened.
- Manufacturer will not accept liability for injury or damage resulting from incorrect use or installation
- The unit is not intended to operate in loop connection.
- Wall plugs and terminals are not included.
- LED modules are replaced only by the manufacturer.

CAUTION

Replace any cracked shield



Last updated: October 2016