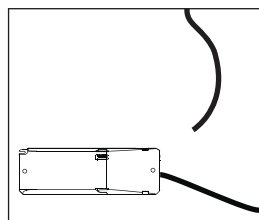
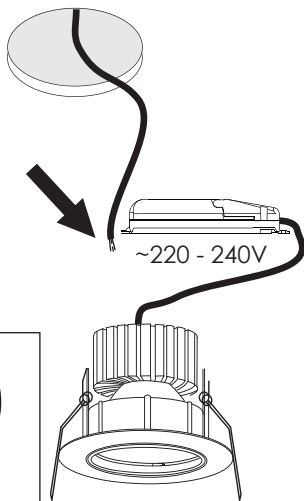
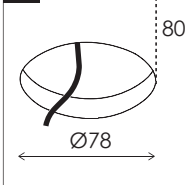


MOBILIS S.S.LED

INSTALLATION INSTRUCTIONS OF LUMINAIRE MOBILIS S.S.LED

1

Installation

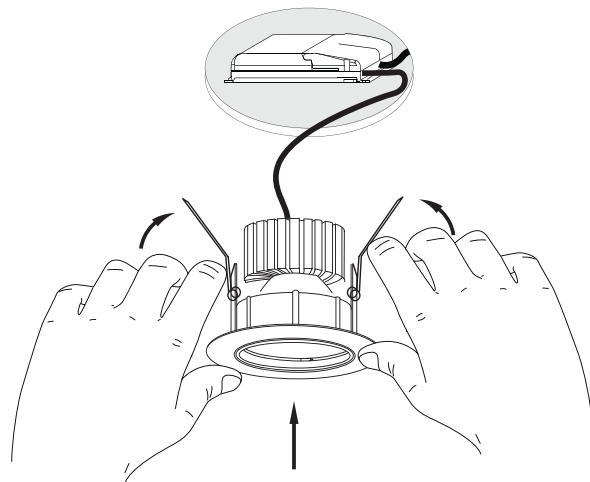


Cut hole on the ceiling

Make wiring connections

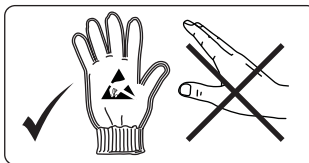
2

Bend the spring upwards to fit the luminaire on ceiling

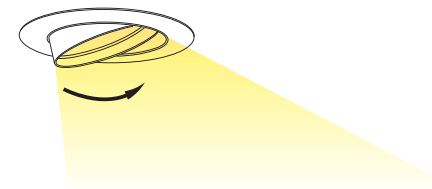


CAUTION

Wear anti-static gloves before you touch LED systems



Rotation: 30° vertical



USER INSTRUCTIONS

- The installation of the unit must be done by a qualified electrician.
- The unit must be earthed in case an earth connecting point exists.
- Ensure that the mains is switched off during servicing.
- Do not use bulb(s) bigger than the indicated on units name-plate or packaging.
- Ensure that after the installation, the unit is properly fixed and the cable clamps (if exist) are well tightened.
- Manufacturer will not accept liability for injury or damage resulting from incorrect use or installation
- The unit is not intended to operate in loop connection.
- Wall plugs and terminals are not included.
- LED modules are replaced only by the manufacturer.



Last updated: August 2016

BRIGHT
SPECIAL LIGHTING

www.bright.gr

Factory: 5 Kefalovrisou Str., Monomati, Acharnai, P.O. Box 13677, Athens, Greece
Tel: (+30) 210 6208 230 Fax: (+30) 210 62 08 262

