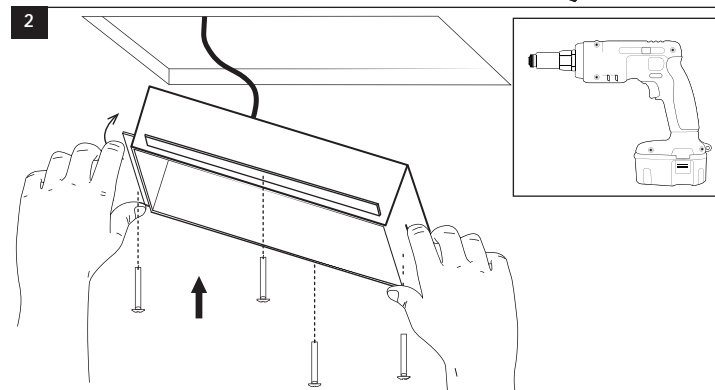
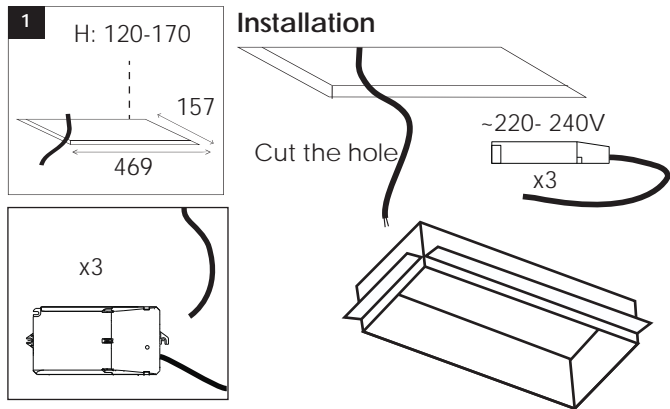




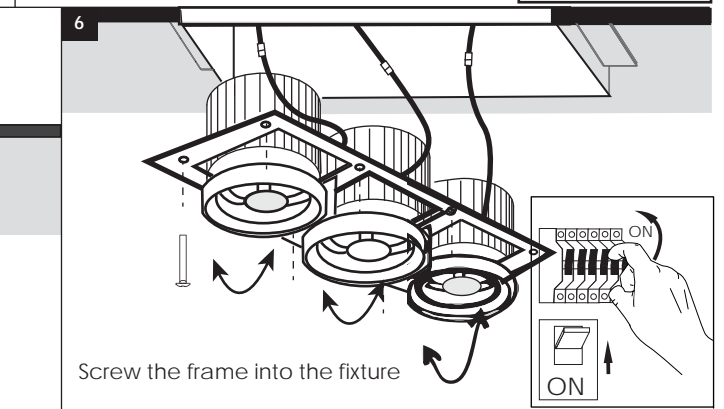
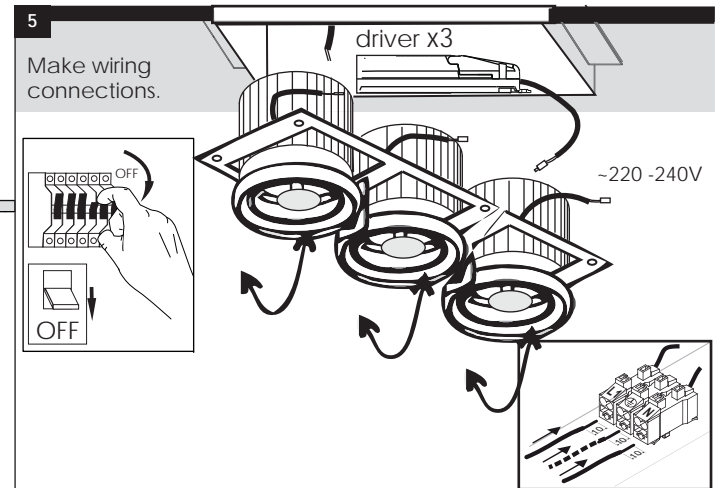
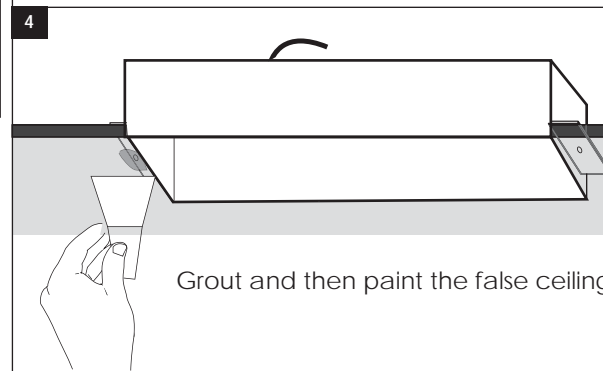
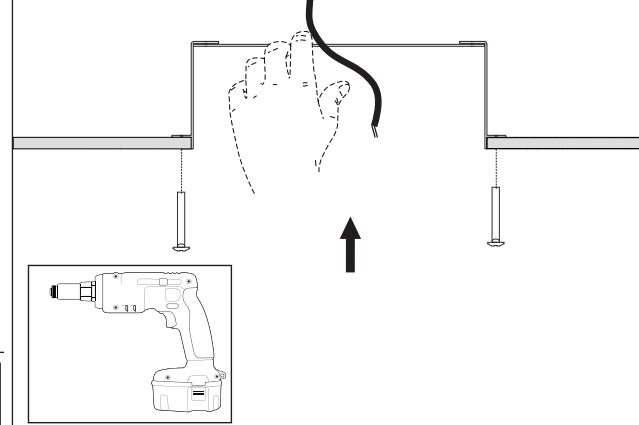
STATUS 3F SSLED

⊖ indoor/downlight recessed spots



Place the luminaire in the ceiling hole. Firstly, adjust the one side. Secure using retaining screws. Hold the luminaire while using the drill.

3 Secure the fitting on ceiling with screws. Provide enough resistance with your hand.

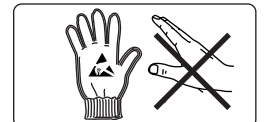


USER INSTRUCTIONS

- The installation of the unit must be done by a qualified electrician.
- The unit must be earthed in case an earth connecting point exists.
- Ensure that the mains is switched off during servicing.
- Do not use bulb(s) bigger than the indicated on units name-plate or packaging.
- Ensure that after the installation, the unit is properly fixed and the cable clamps (if exist) are well tightened.
- Manufacturer will not accept liability for injury or damage resulting from incorrect use or installation
- The unit is not intended to operate in loop connection.
- Wall plugs and terminals are not included.
- LED modules are replaced only by the manufacturer.

CAUTION

Wear anti-static gloves before you touch LED systems



CAUTION

Replace any cracked shield

