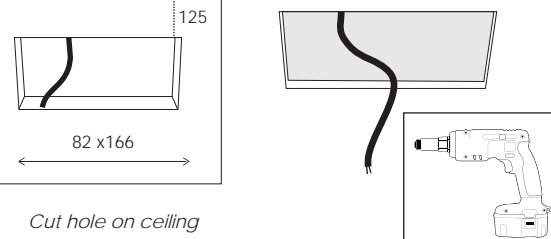
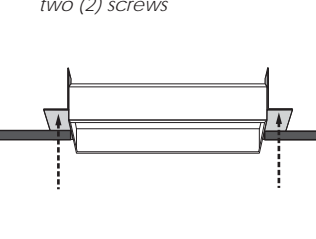
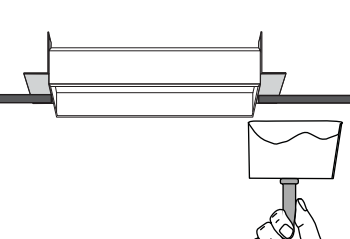
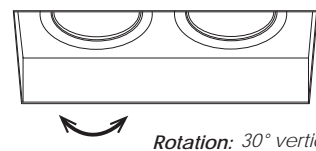
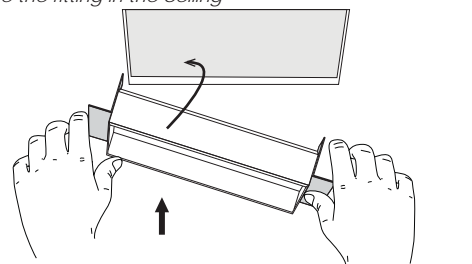
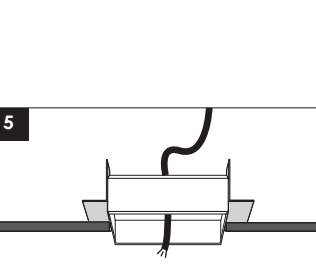
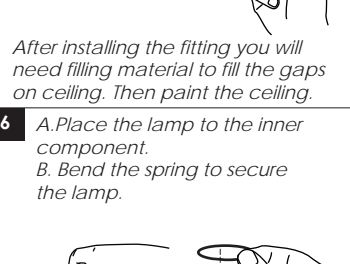
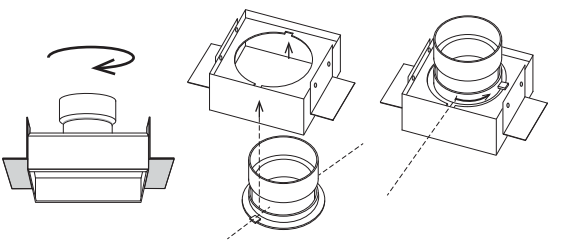
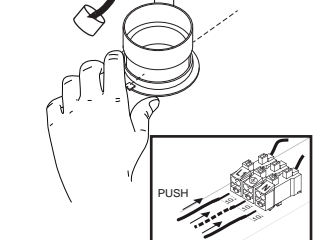


ORBIS STATUS 2F GU

INSTALLATION INSTRUCTIONS FOR LUMINAIRE ORBIS STATUS 2F GU

<p>1 <i>Installation</i></p>  <p>125</p> <p>82 x 166</p> <p>Cut hole on ceiling</p>	<p>3 <i>Secure the fitting on ceiling with two (2) screws</i></p> 	<p>4</p>  <p>After installing the fitting you will need filling material to fill the gaps on ceiling. Then paint the ceiling.</p>	 <p>Rotation: 30° vertical</p>
<p>2 <i>Place the fitting in the ceiling</i></p> 	<p>5</p> 	<p>6 <i>A. Place the lamp to the inner component. B. Bend the spring to secure the lamp.</i></p> 	
<p><i>(ii) Release inner component. Turn it until you reach the gaps</i></p> 	 <p>PUSH</p>	<p>A B</p>	

USER INSTRUCTIONS

- The installation of the unit must be done by a qualified electrician.
- The unit must be earthed in case an earth connecting point exists.
- Ensure that the mains is switched off during servicing.
- Do not use bulb(s) bigger than the indicated on units name-plate or packaging.
- Ensure that after the installation, the unit is properly fixed and the cable clamps (if exist) are well tightened.
- Manufacturer will not accept liability for injury or damage resulting from incorrect use or installation
- The unit is not intended to operate in loop connection.
- Wall plugs and terminals are not included.



Last updated: May 2016