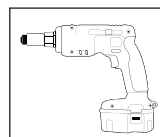
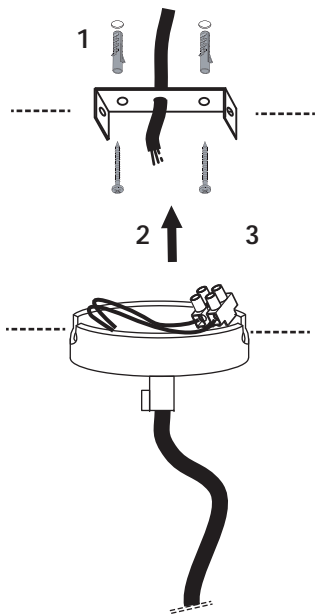


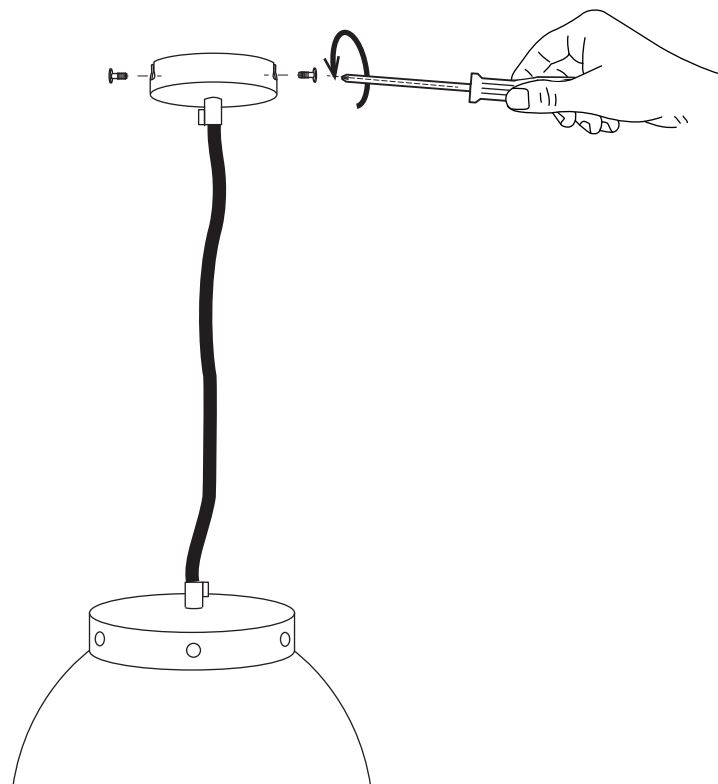
# GIGA 2 WP

INSTALLATION INSTRUCTIONS FOR LUMINAIRE GIGA 2 WP

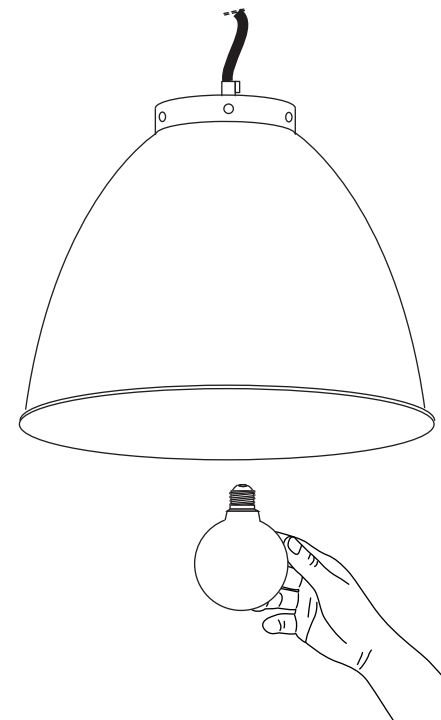
- 1** 1. Make holes on ceiling and place the wall plugs  
2. Fit the metal stripe and tighten the screws  
3. Make wiring connections



- 2** Tighten the (2) screws of the base to support the fitting on ceiling



- 3** Insert lamp to lampholder



## USER INSTRUCTIONS

- The installation of the unit must be done by a qualified electrician.
- The unit must be earthed in case an earth connecting point exists.
- Ensure that the main supply is switched off during servicing.
- Do not use bulb(s) bigger than the indicated on units name-plate or packaging.
- Ensure that after the installation, the unit is properly fixed and the cable clamps (if exist) are well tightened.
- Manufacturer will not accept liability for injury or damage resulting from incorrect use or installation
- The unit is not intended to operate in loop connection.
- Wall plugs and terminals are not included.



Date issued: May 2014

**BR//GHT**  
SPECIAL LIGHTING

[www.bright.gr](http://www.bright.gr)

Factory: 5 Kefalovrisou Str., Monomati, Axarnai, P.O. Box 13677, Athens, Greece  
Tel: (+30) 210 6208 230 Fax: (+30) 210 62 08 262



GREENLIGHT