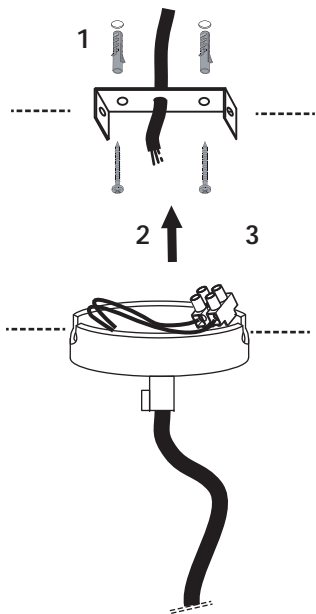


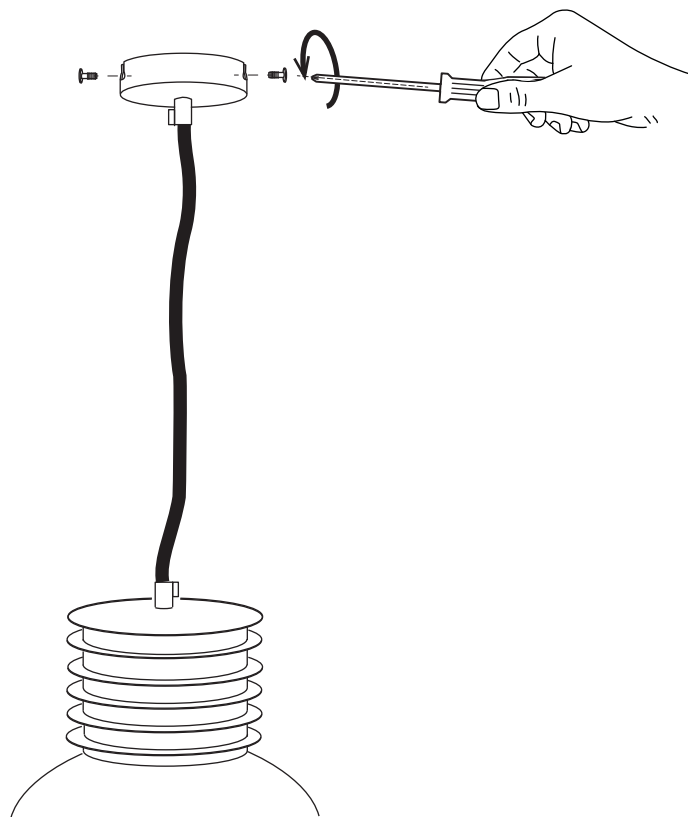
FILIP 7

INSTALLATION INSTRUCTIONS FOR LUMINAIRE FILIP 7

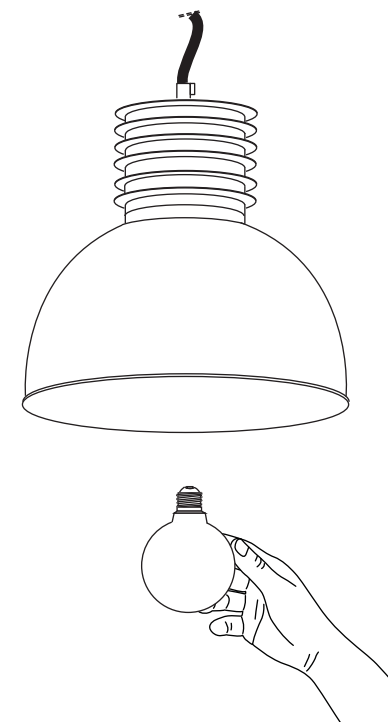
1. Make holes on ceiling and place the wall plugs
2. Fit the metal stripe and tighten the screws
3. Make wiring connections



2. Tighten the (2) screws of the base to support the fitting on ceiling



3. Insert lamp to lampholder



USER INSTRUCTIONS

- The installation of the unit must be done by a qualified electrician.
- The unit must be earthed in case an earth connecting point exists.
- Ensure that the main supply is switched off during servicing.
- Do not use bulb(s) bigger than the indicated on units name-plate or packaging.
- Ensure that after the installation, the unit is properly fixed and the cable clamps (if exist) are well tightened.
- Manufacturer will not accept liability for injury or damage resulting from incorrect use or installation
- The unit is not intended to operate in loop connection.
- Wall plugs and terminals are not included.



Date issued: May 2014