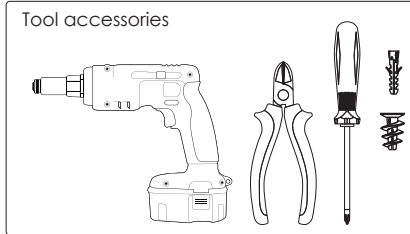
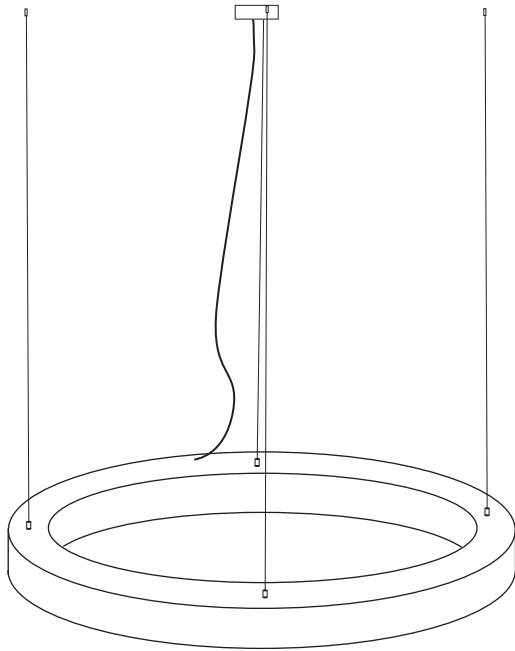


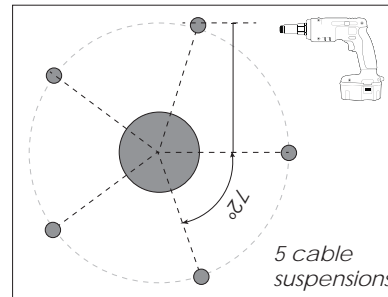
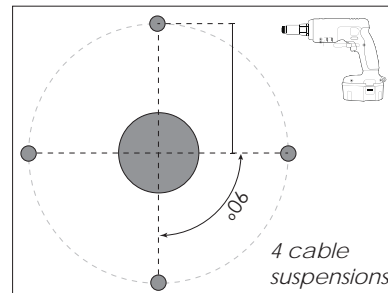
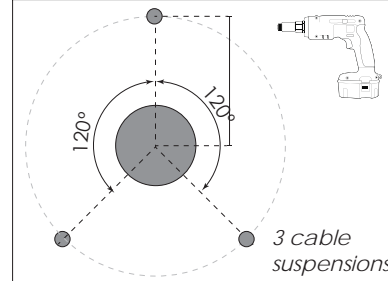
# FUGA 2 ROUND TRIMLESS

## installation instructions

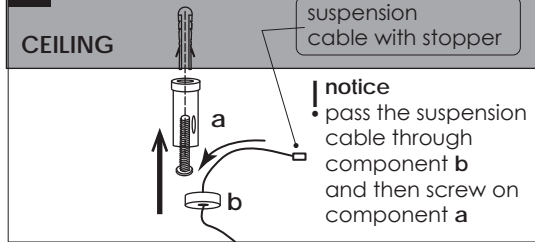
indoor/ profiles



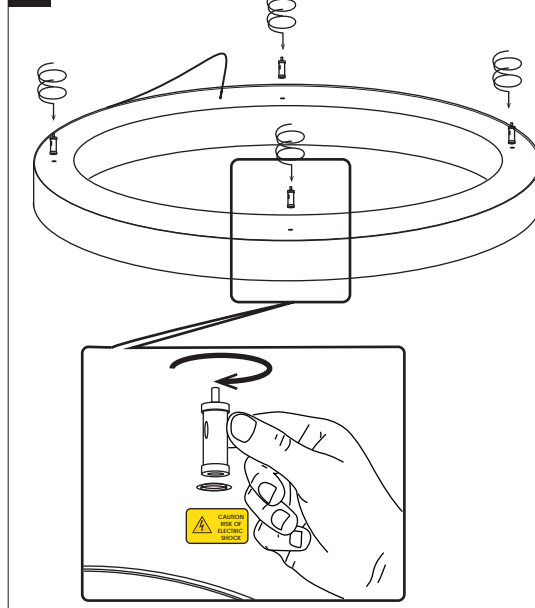
### 1 Suspension installation system hole patterns



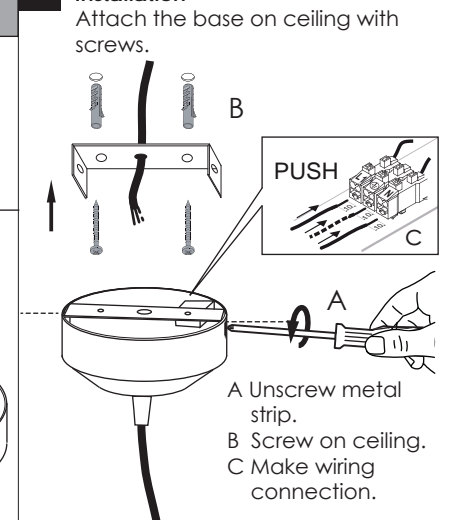
### 2 CEILING



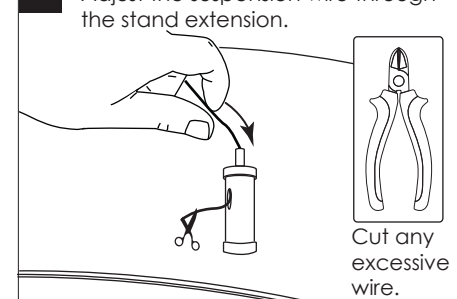
### 3 Adjust the stand extensions.



### 4 Installation



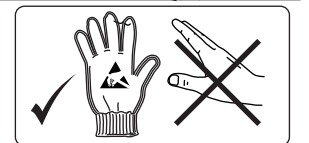
### 5 Adjust the suspension wire through the stand extension.



#### USER INSTRUCTIONS

- The installation of the unit must be done by a qualified electrician.
- The unit must be earthed in case an earth connecting point exists.
- Ensure that the mains is switched off during servicing.
- Do not use bulb(s) bigger than the indicated on units name-plate or packaging.
- Ensure that after the installation, the unit is properly fixed and the cable clamps (if exist) are well tightened.
- Manufacturer will not accept liability for injury or damage resulting from incorrect use or installation
- The unit is not intended to operate in loop connection.
- Wall plugs and terminals are not included.
- LED modules are replaced only by the manufacturer.

**CAUTION**  
Wear anti-static gloves before you touch LED systems.



**CAUTION**  
Replace any cracked shield.

