

NOTUS 16 UGR



■ PRODUCT BENEFITS

- Uniform light and controlled beam with special cover
- Energy efficient with maximum 190 lm/W at 3.000K | 202 lm/W at 4.000K
- 5 years guarantee
- Lifetime > >100.000h L80B10
- Low UGR

■ AREAS OF APPLICATION

- Offices
- Educational premises
- Retail shops
- Health care premises
- Industrial activities

■ EQUIPMENT / ACCESSORIES

- Mounting accessories included (suspension kit, installation kit)



CONVERSION
KIT+BATTERY



NOTUS 1
ANGULAR



AUTO WIRE
SUPPORT
BLOCK



SKB 21



SKB 12

TECHNICAL DATA

Electrical Data

Nominal Voltage	220-240V
Mains Frequency	50/60Hz
Power Factor λ	>0,95
Operating Mode	Integral ECG for LED modules
Output Current Ripple	<3%

Photometric Data

Standard Deviation of Color Matching (SDCM)	3-step McAdam
CRI	>80 90 upon request
Beam Angle	Special low ugr beam
Transmittance	90%
Efficiency	Max 190 Lm/W at 3.000K 202 Lm/W at 4.000K

Luminaires Output Data

3000K

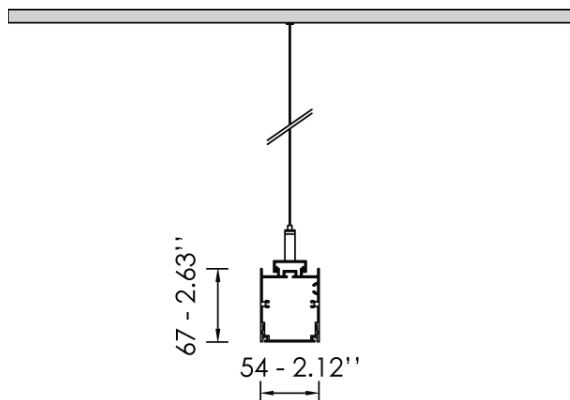
Length mm	Luminaire Watt	Luminaire Lumen	Lumen / Watt
596	10.0	1.458	146
876	15.0	2.187	146
1157	20.0	2.916	146
1437	25.0	3.645	146
1718	30.0	4.374	146
1998	35.0	5.103	146
2279	40.0	5.832	146
2559	45.0	6.561	146
2840	50.0	7.290	146
3120	55.0	8.019	146
3411	60.0	8.748	146
3681	65.0	9.477	146
3962	70.0	10.206	146
4242	75.0	10.935	146
4523	80.0	11.664	146

4000K

Length mm	Luminaire Watt	Luminaire Lumen	Lumen / Watt
596	10.0	1.548	155
876	15.0	2.322	155
1157	20.0	3.096	155
1437	25.0	3.870	155
1718	30.0	4.644	155
1998	35.0	5.418	155
2279	40.0	6.192	155
2559	45.0	6.966	155
2840	50.0	7.740	155
3120	55.0	8.514	155
3411	60.0	9.288	155
3681	65.0	10.062	155
3962	70.0	10.836	155
4242	75.0	11.610	155
4523	80.0	12.384	155

TECHNICAL DATA

■ Dimensions



■ Weight

~3Kg/m

■ Colors & Materials

Body Material	Extruded Aluminium
Diffuser Material	Anti Glare PMMA

■ Temperatures & Operating Conditions

Ambient Temperature Range	-20 ... +45°C
Ambient Relative Humidity Range	10 ... 95% R.H
Storage Temperature	-20 ... +75°C
Max. Ambient Temperature for Lifetime	+35°C
Lifetime at 35°C	> 100.000h L80B10

TECHNICAL DATA

Safety Characteristics

Impact Resistant (IK)	04
Ingress Protection (IP)	40
Protection Class	Class I
Glow Wire Test	650 °C
Photobiological Safety	RG0
Certifications	CE

General Characteristics

Dimmable	1 - 10V / DALI / CASAMBI
Emergency Lighting	Upon request
Connection Type	Screwless terminal
LED module Replaceable	Only by the manufacturer
Mounting Type	Suspended / Surface
Mounting Location	Ceiling / Wall

Light Distribution

Prismatic cover

