

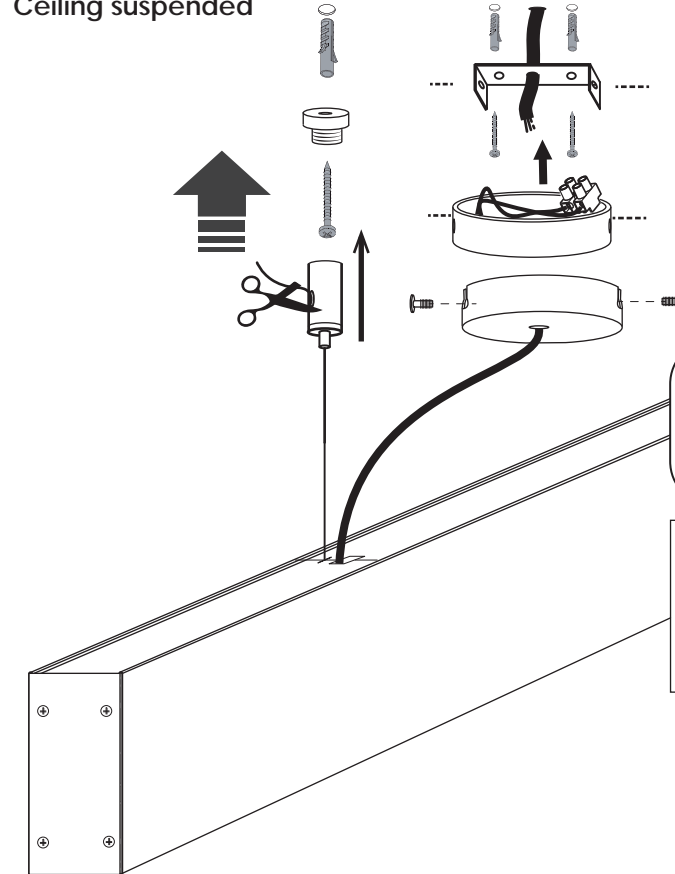
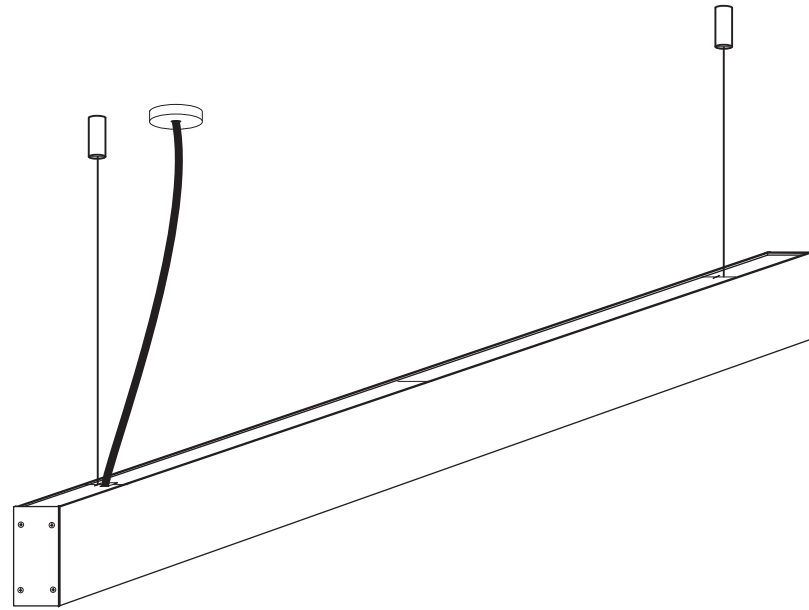
NOTUS 17 LINEAR LED

installation instructions

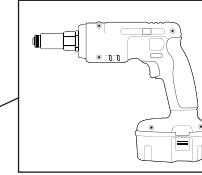
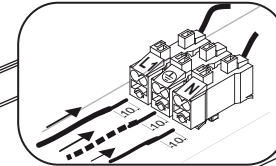
indoor/ profile



Ceiling suspended



- 1 Make holes on ceiling and place the wall plugs
- 2 Fit the metal stripe and tighten the screws
- 3 Make wiring connections
- 4 Tighten the (2) screws of the base



USER INSTRUCTIONS

- The installation of the unit must be done by a qualified electrician.
- The unit must be earthed in case an earth connecting point exists.
- Ensure that the mains is switched off during servicing.
- Do not use bulb(s) bigger than the indicated on units name-plate or packaging.
- Ensure that after the installation, the unit is properly fixed and the cable clamps (if exist) are well tightened.
- Manufacturer will not accept liability for injury or damage resulting from incorrect use or installation
- The unit is not intended to operate in loop connection.
- Wall plugs and terminals are not included.
- LED modules are replaced only by the manufacturer.

CAUTION
Wear anti-static gloves before you touch LED systems



CAUTION
Replace any cracked shield

