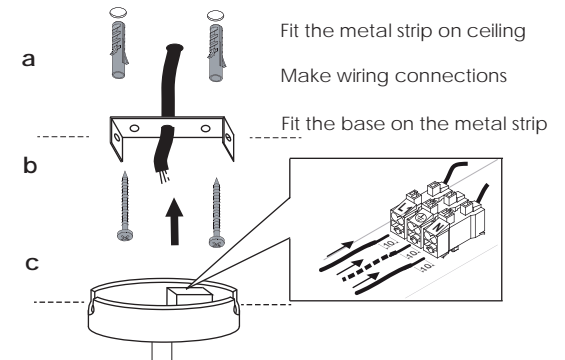
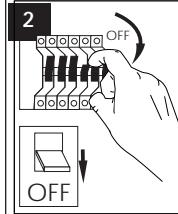
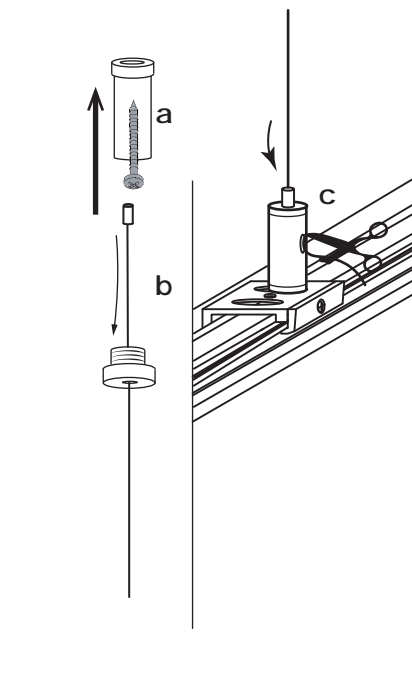
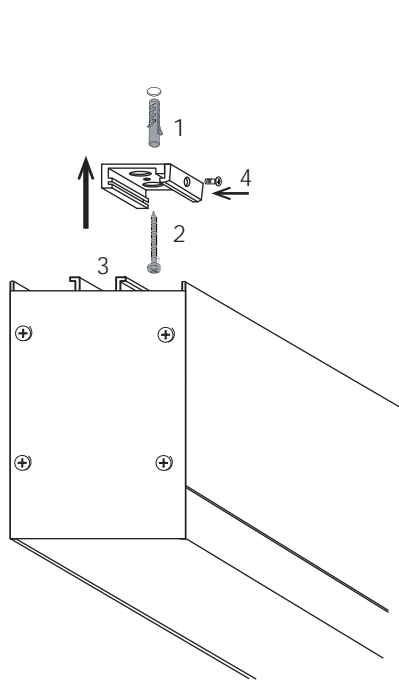


# NOTUS 13 LINEAR LED

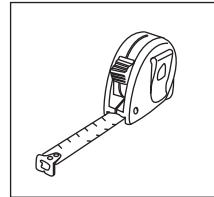
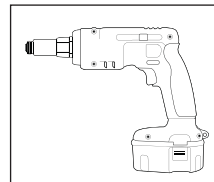
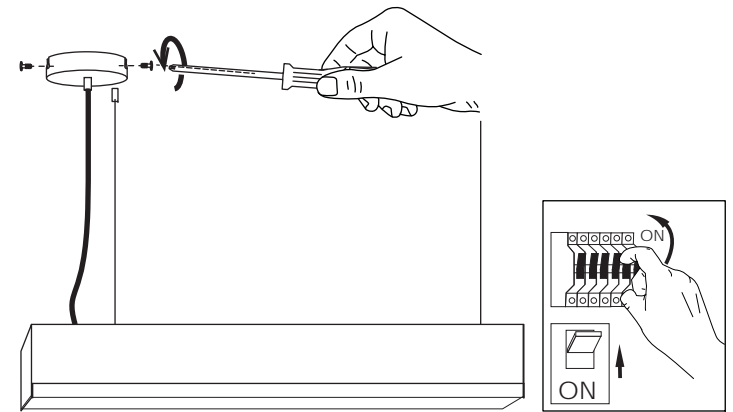
☉ indoor/ profile



**1** Measure distances for suspensions or mounting systems  
Adjust the suspension or the mounting system.



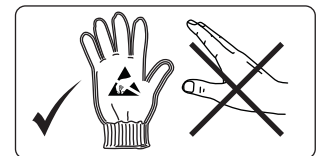
Tighten the screws till the base is secure against ceiling



USER INSTRUCTIONS

- The installation of the unit must be done by a qualified electrician.
- The unit must be earthed in case an earth connecting point exists.
- Ensure that the mains is switched off during servicing.
- Do not use bulb(s) bigger than the indicated on units name-plate or packaging.
- Ensure that after the installation, the unit is properly fixed and the cable clamps (if exist) are well tightened.
- Manufacturer will not accept liability for injury or damage resulting from incorrect use or installation
- The unit is not intended to operate in loop connection.
- Wall plugs and terminals are not included.
- LED modules are replaced only by the manufacturer.

**CAUTION**  
Wear anti-static gloves  
before you touch LED systems



**CAUTION**  
Replace any cracked shield

