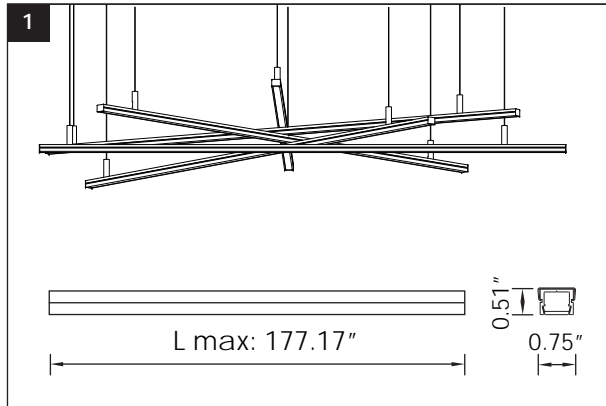


# COMIS 5X SP

indoor/ profiles



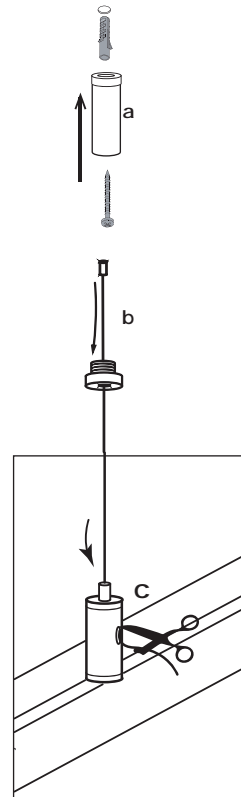
**+DRIVER**  
~220 - 240V

**Tool accessories**

(x2) [Screw icon]

(x2) [Key icon]

- Screw the mounting ceiling system on ceiling.
- Adjust the suspension wire.
- Cut any excessive wire.

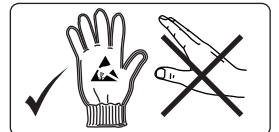


**2** Make wiring connections.

**USER INSTRUCTIONS**

- The installation of the unit must be done by a qualified electrician.
- The unit must be earthed in case an earth connecting point exists.
- Ensure that the mains is switched off during servicing.
- Do not use bulb(s) bigger than the indicated on units name-plate or packaging.
- Ensure that after the installation, the unit is properly fixed and the cable clamps (if exist) are well tightened.
- Manufacturer will not accept liability for injury or damage resulting from incorrect use or installation
- The unit is not intended to operate in loop connection.
- Wall plugs and terminals are not included.
- LED modules are replaced only by the manufacturer.

**CAUTION**  
Wear anti-static gloves before you touch LED systems

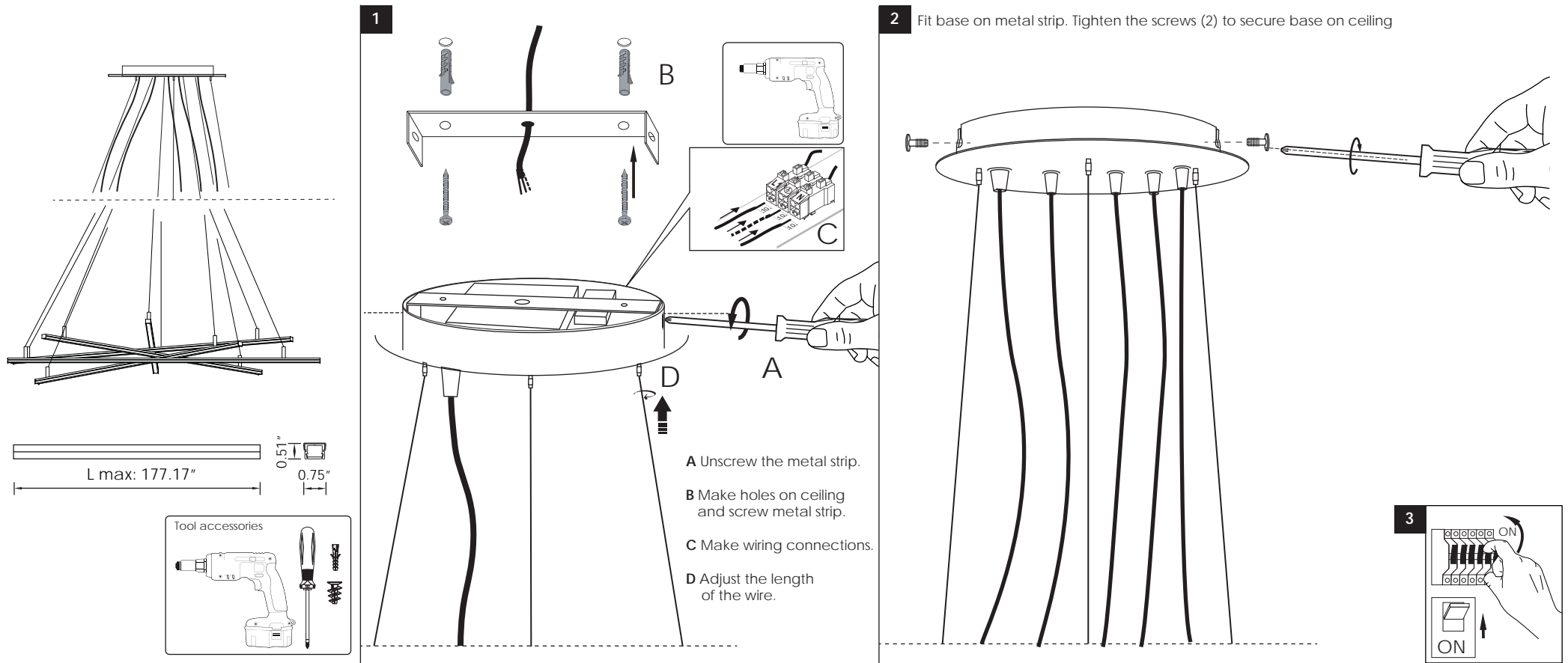


**CAUTION**  
Replace any cracked shield



# COMIS 5X SP \_L BASE

indoor/ profile



**USER INSTRUCTIONS**

- The installation of the unit must be done by a qualified electrician.
- The unit must be earthed in case an earth connecting point exists.
- Ensure that the mains is switched off during servicing.
- Do not use bulb(s) bigger than the indicated on units name-plate or packaging.
- Ensure that after the installation, the unit is properly fixed and the cable clamps (if exist) are well tightened.
- Manufacturer will not accept liability for injury or damage resulting from incorrect use or installation
- The unit is not intended to operate in loop connection.
- Wall plugs and terminals are not included.
- LED modules are replaced only by the manufacturer.



**Factory**

5 Kefalovrisou Str., Monomati, Acharnai, P.O. Box 13677, Athens, Greece | Tel: (+30) 210 6208 230  
E-mail: info@bright.gr | www.bright.gr

IP40

