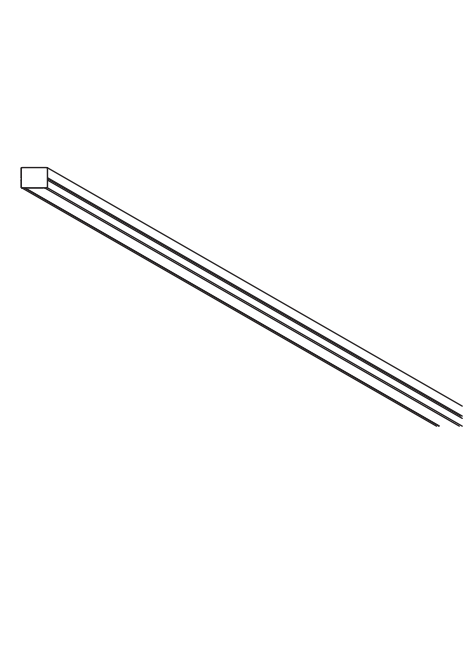
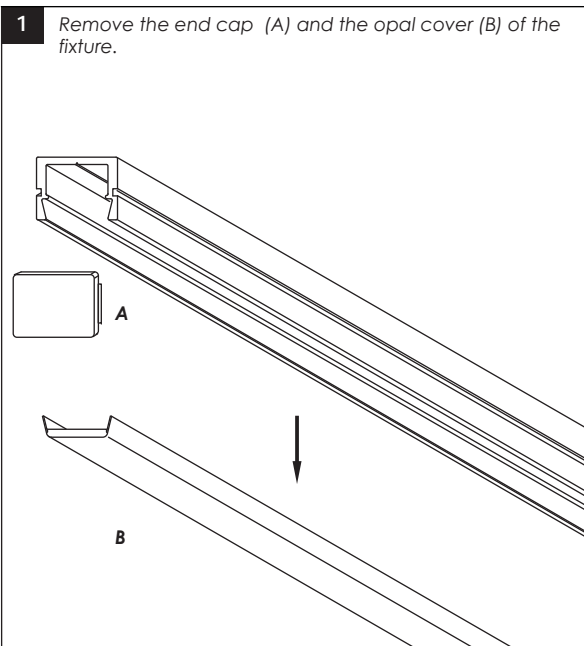


# COMIS OUT OPAL TAPE LED

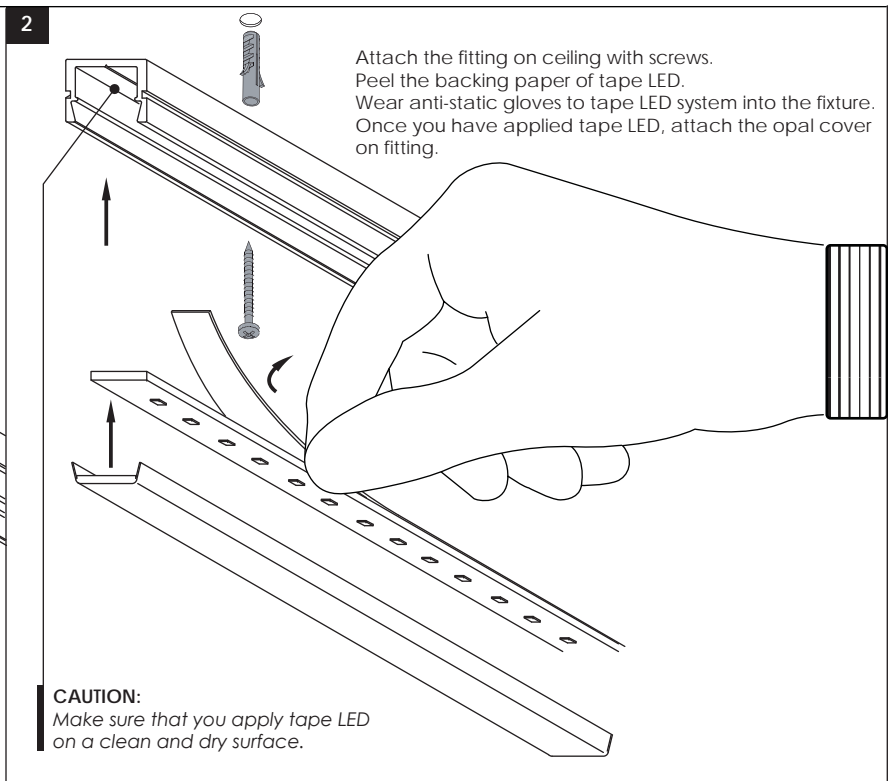
INSTALLATION INSTRUCTIONS FOR LUMINAIRE COMIS OUT OPAL TAPE LED



**1** Remove the end cap (A) and the opal cover (B) of the fixture.



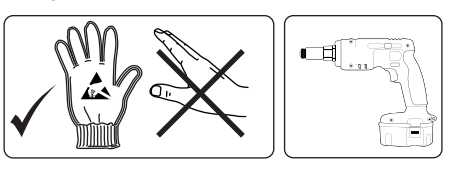
**2**



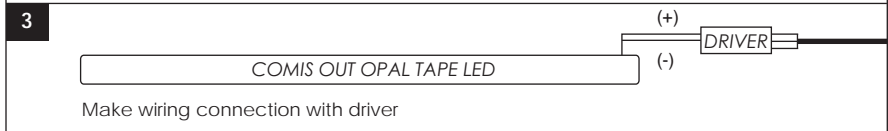
Attach the fitting on ceiling with screws. Peel the backing paper of tape LED. Wear anti-static gloves to tape LED system into the fixture. Once you have applied tape LED, attach the opal cover on fitting.

**CAUTION:** Make sure that you apply tape LED on a clean and dry surface.

**CAUTION**  
Wear anti-static gloves before you touch LED systems



**3**



COMIS OUT OPAL TAPE LED

DRIVER (+) (-)

Make wiring connection with driver

## USER INSTRUCTIONS

- The installation of the unit must be done by a qualified electrician.
- The unit must be earthed in case an earth connecting point exists.
- Ensure that the mains is switched off during servicing.
- Do not use bulb(s) bigger than the indicated on units name-plate or packaging.
- Ensure that after the installation, the unit is properly fixed and the cable clamps (if exist) are well tightened.
- Manufacturer will not accept liability for injury or damage resulting from incorrect use or installation
- The unit is not intended to operate in loop connection.
- Wall plugs and terminals are not included.



Last updated: October 2014