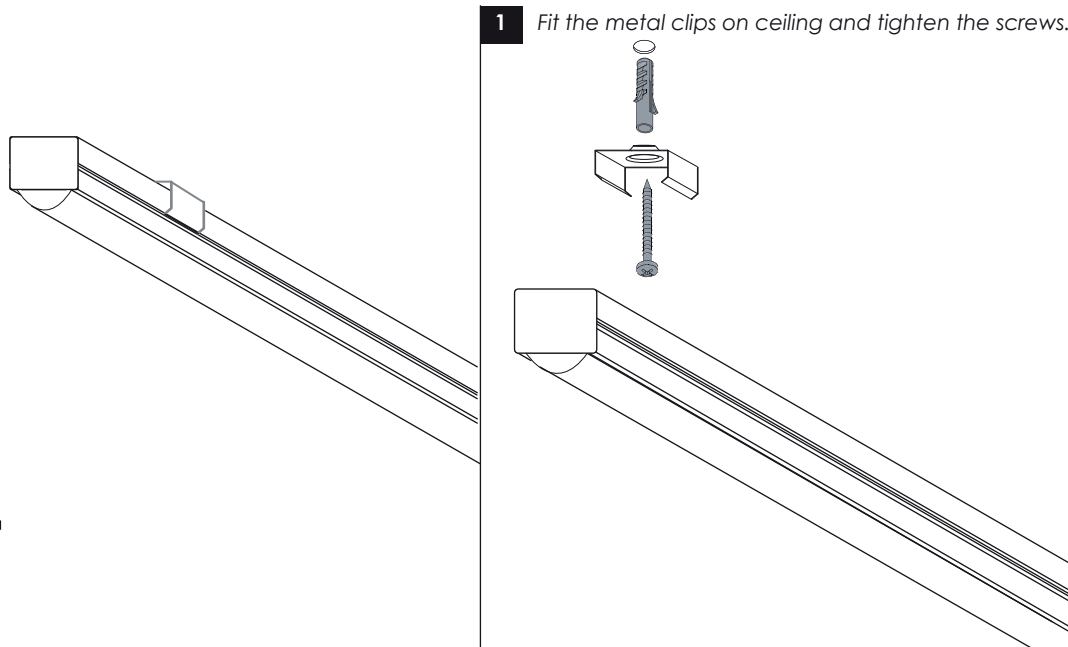


# COMIS OUT LENS TAPE LED

## installation instructions

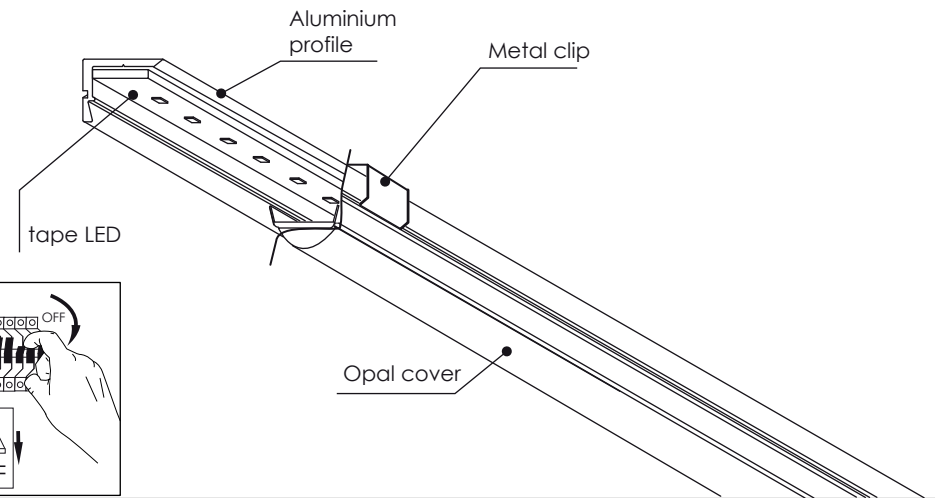
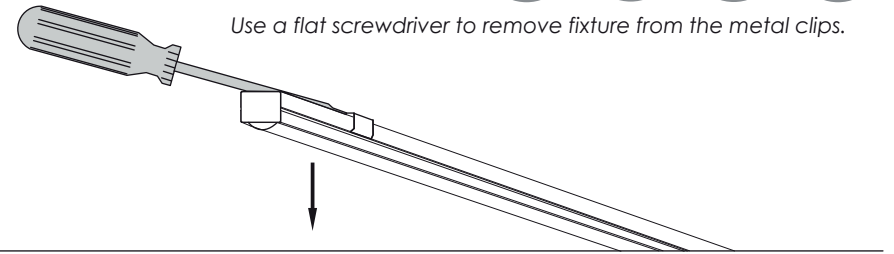
indoor/ profiles



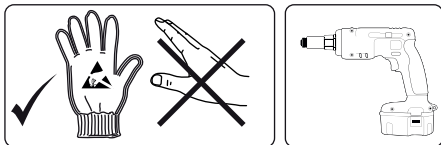
**1** Fit the metal clips on ceiling and tighten the screws.

**REMOVE**

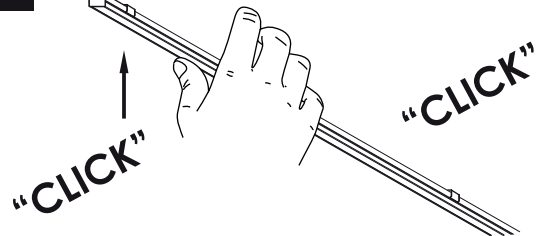
Use a flat screwdriver to remove fixture from the metal clips.



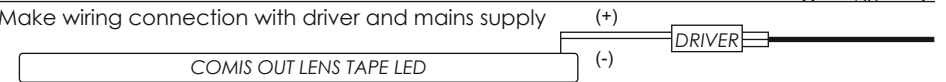
**CAUTION**  
Wear anti-static gloves before you touch LED systems



**2 FIT** Push or slide the fixture into the clips.



**3** Make wiring connection with driver and mains supply

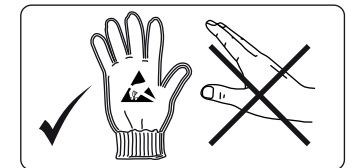


**USER INSTRUCTIONS**

- The installation of the unit must be done by a qualified electrician.
- The unit must be earthed in case an earth connecting point exists.
- Ensure that the mains is switched off during servicing.
- Ensure that after the installation, the unit is properly fixed and the cable clamps (if exist) are well tightened.
- Manufacturer will not accept liability for injury or damage resulting from incorrect use or installation
- The unit is not intended to operate in loop connection.
- Wall plugs and terminals are not included.
- LED modules are replaced only by the manufacturer.

**CAUTION**

Wear anti-static gloves before you touch LED systems



**Factory**

5 Kefalovrisou Str., Monomati, Acharnai, P.O. Box 13677, Athens, Greece | Tel: (+30) 210 6208 230  
E-mail: info@bright.gr | www.bright.gr

