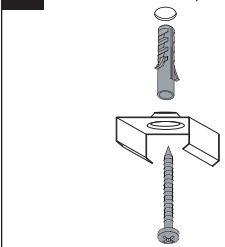


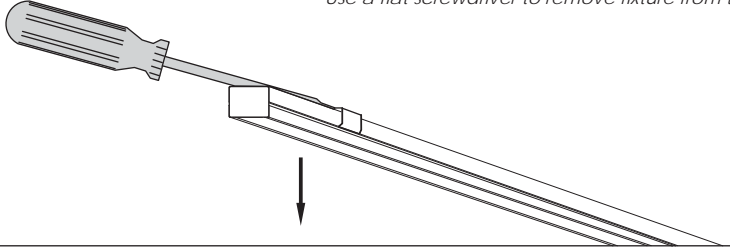
COMIS OUT OPAL TAPE LED + CLIPS

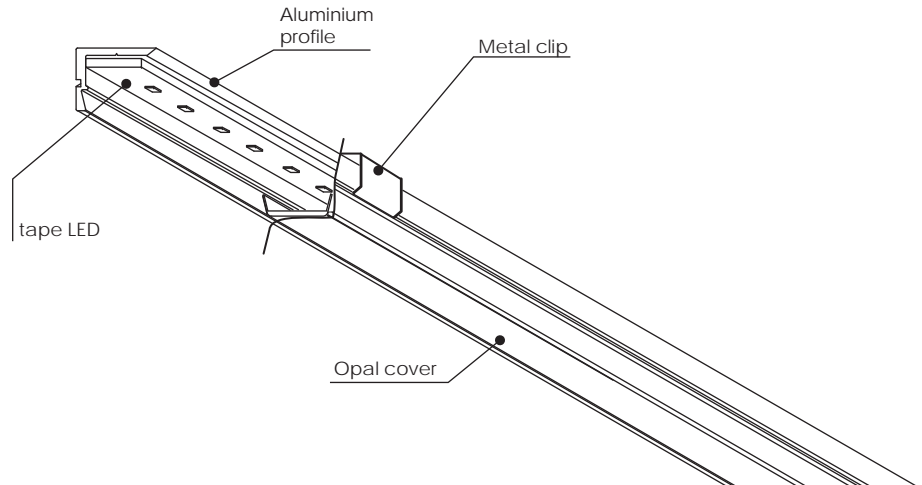
INSTALLATION INSTRUCTIONS FOR LUMINAIRE COMIS OUT OPAL TAPE LED + CLIPS

1 Fit the metal clips on ceiling and tighten the screws.

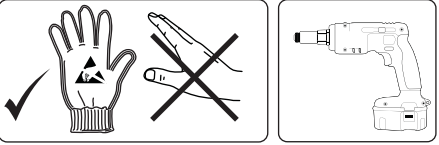


REMOVE Use a flat screwdriver to remove fixture from the metal clips.





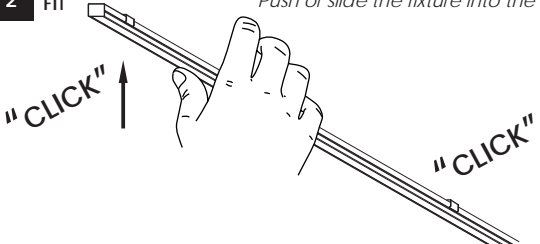
CAUTION
Wear anti-static gloves before you touch LED systems




2 FIT Push or slide the fixture into the clips.

"CLICK" ↑

↓ "CLICK"



3



Make wiring connection with driver and main supply

USER INSTRUCTIONS

- The installation of the unit must be done by a qualified electrician.
- The unit must be earthed in case an earth connecting point exists.
- Ensure that the mains is switched off during servicing.
- Do not use bulb(s) bigger than the indicated on units name-plate or packaging.
- Ensure that after the installation, the unit is properly fixed and the cable clamps (if exist) are well tightened.
- Manufacturer will not accept liability for injury or damage resulting from incorrect use or installation
- The unit is not intended to operate in loop connection.
- Wall plugs and terminals are not included.



Last updated: October 2014