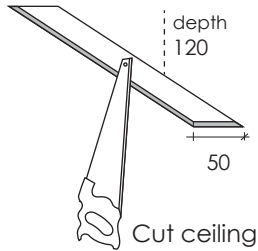


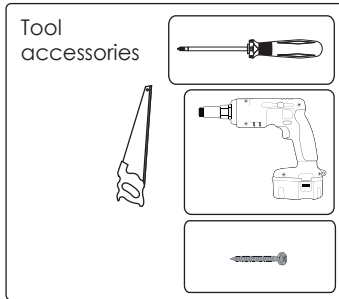
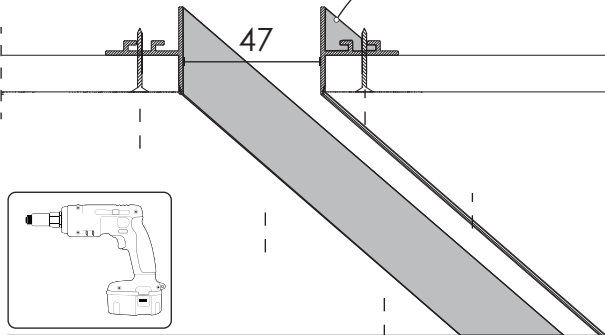
NOTUS 25 TRIMLESS LINEAR LED false ceiling recessed

installation instructions

indoor/ profile

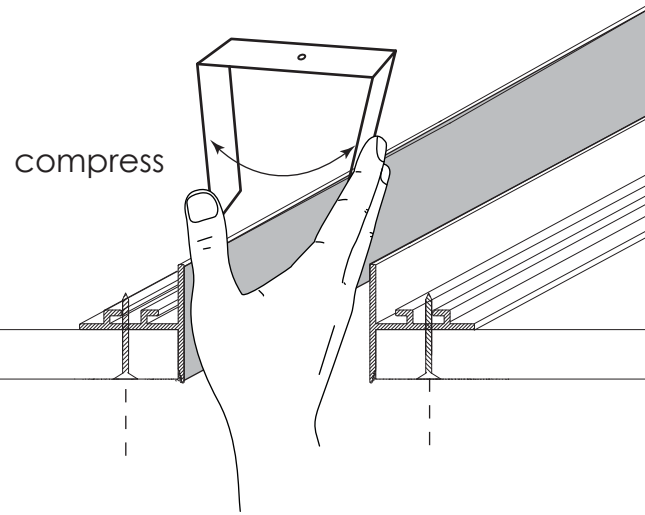


1 Attach trimless system, drill holes through the trimless set and the false ceiling, and drive screws into the holes.



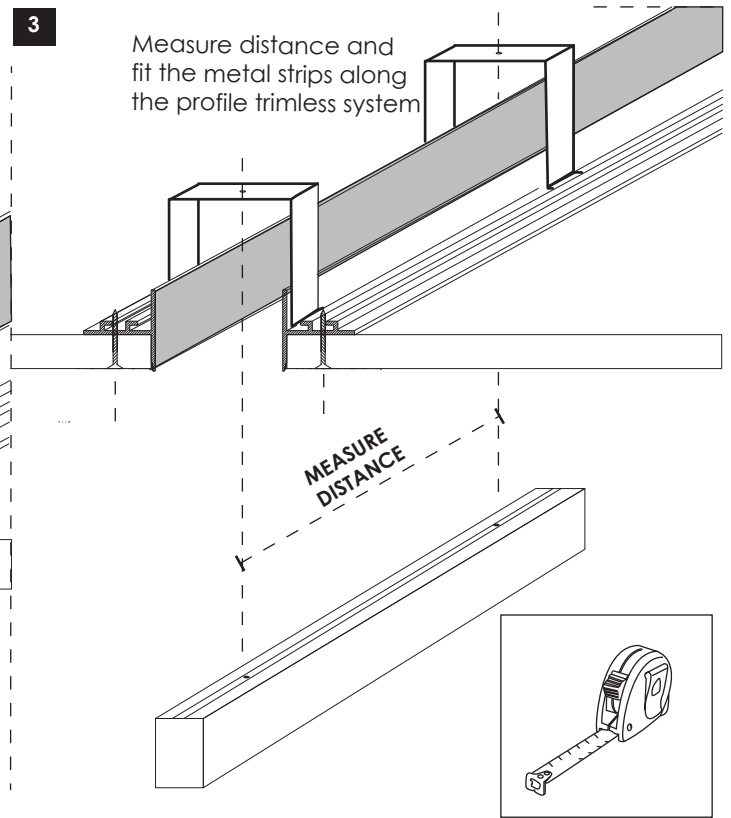
Fit the metal strips along the profile trimless system

compress



3

Measure distance and fit the metal strips along the profile trimless system

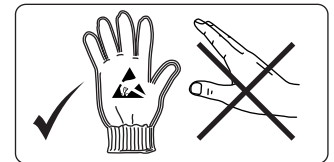


USER INSTRUCTIONS

- The installation of the unit must be done by a qualified electrician.
- The unit must be earthed in case an earth connecting point exists.
- Ensure that the mains is switched off during servicing.
- Ensure that after the installation, the unit is properly fixed and the cable clamps (if exist) are well tightened.
- Manufacturer will not accept liability for injury or damage resulting from incorrect use or installation
- The unit is not intended to operate in loop connection.
- Wall plugs and terminals are not included.
- LED modules are replaced only by the manufacturer.

CAUTION

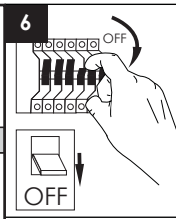
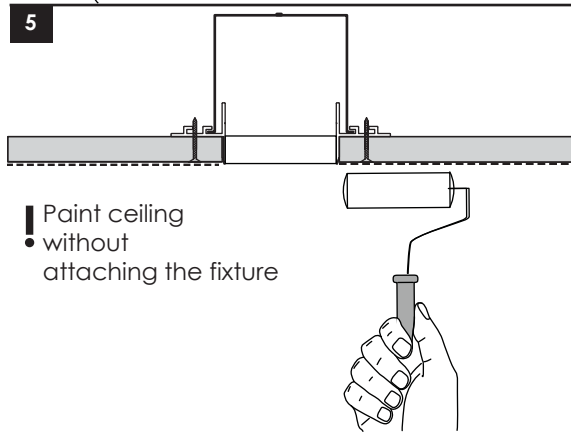
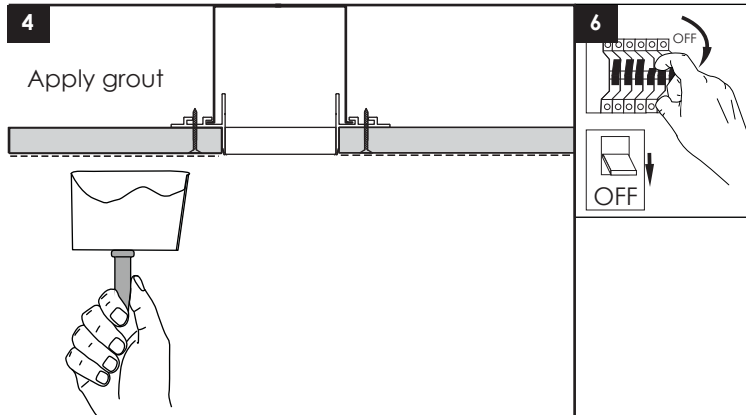
Wear anti-static gloves before you touch LED systems



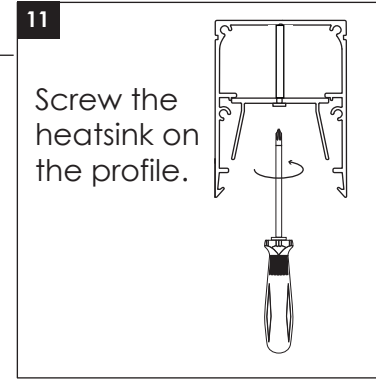
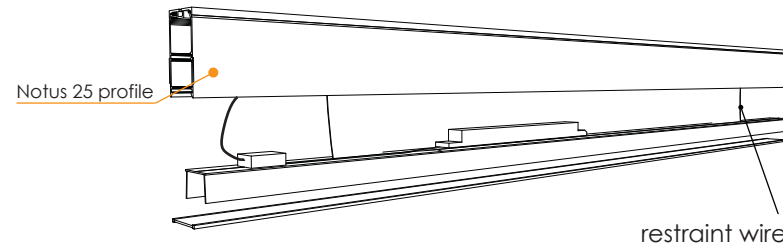
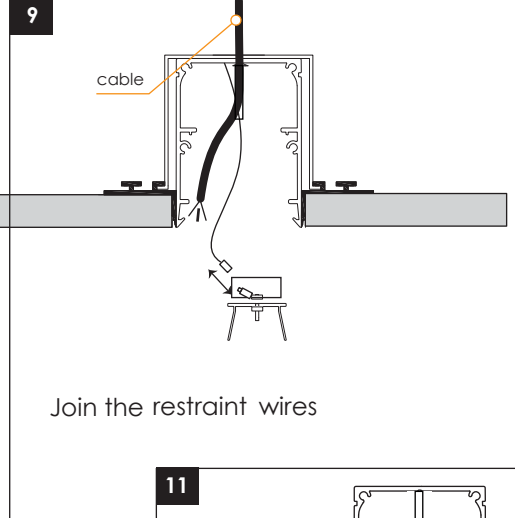
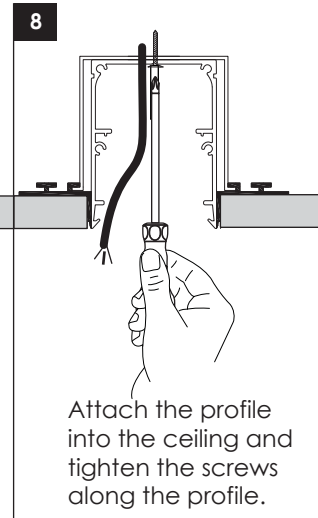
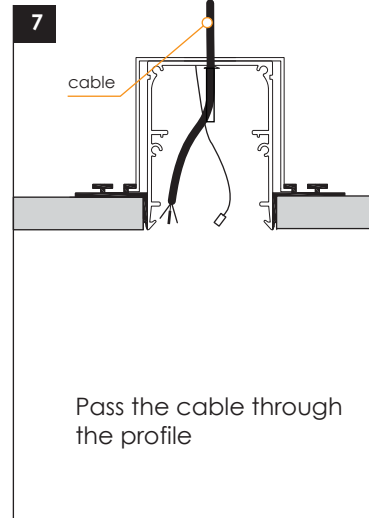
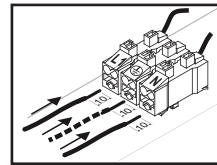
NOTUS 25 TRIMLESS LINEAR LED false ceiling recessed

installation instructions

indoor/ profile



10 Make wiring connections.

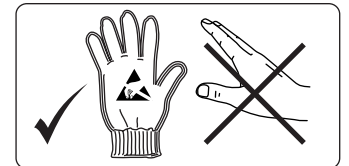


USER INSTRUCTIONS

- The installation of the unit must be done by a qualified electrician.
- The unit must be earthed in case an earth connecting point exists.
- Ensure that the mains is switched off during servicing.
- Ensure that after the installation, the unit is properly fixed and the cable clamps (if exist) are well tightened.
- Manufacturer will not accept liability for injury or damage resulting from incorrect use or installation
- The unit is not intended to operate in loop connection.
- Wall plugs and terminals are not included.
- LED modules are replaced only by the manufacturer.

CAUTION

Wear anti-static gloves before you touch LED systems



Factory

5 Kefalovrisou Str., Monomati, Acharnai, P.O. Box 13677, Athens, Greece | Tel: (+30) 210 6208 230
E-mail: info@bright.gr | www.bright.gr

