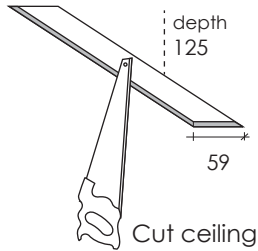


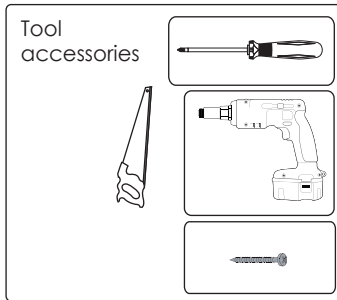
NOTUS 16 TRIMLESS LINEAR LED false ceiling recessed

installation instructions

indoor/ profile



1
Attach trimless system, drill holes through the trimless set and the false ceiling, and drive screws into the holes.



2

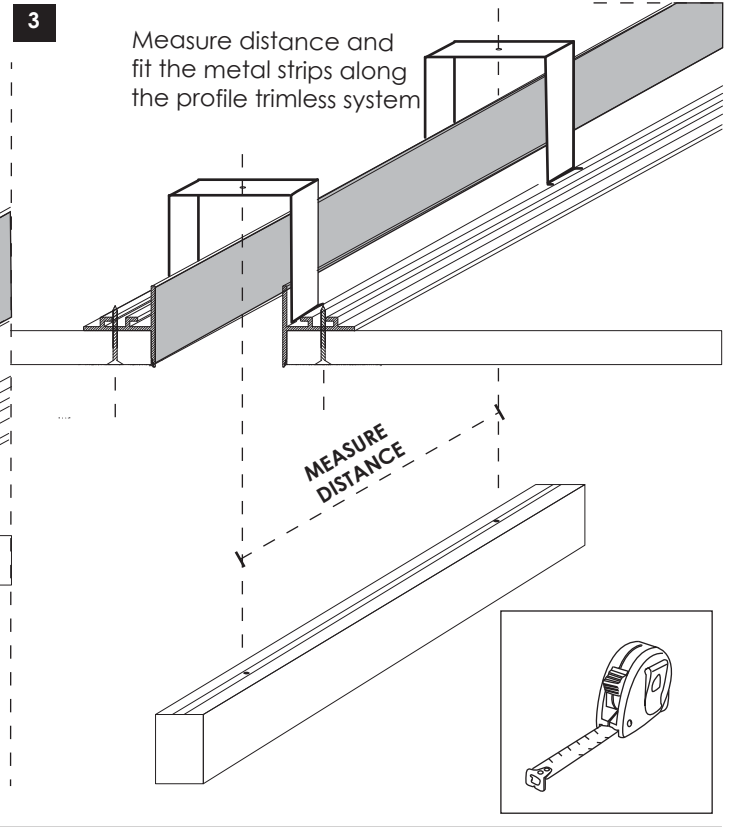
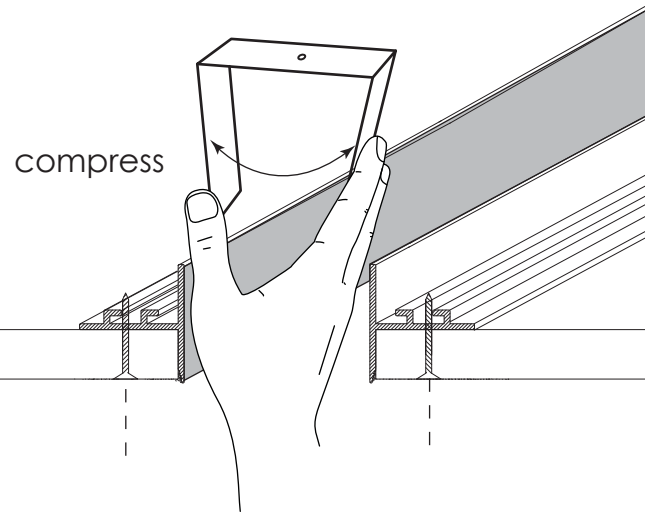
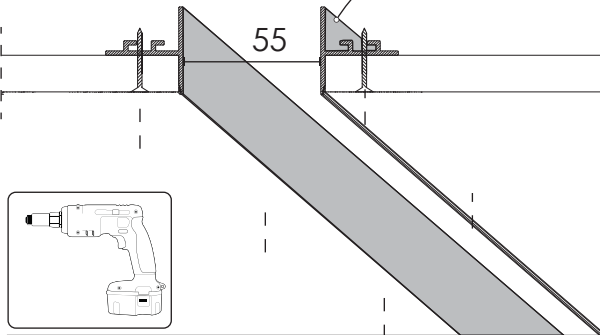
Fit the metal strips along the profile trimless system

compress

3

Measure distance and fit the metal strips along the profile trimless system

MEASURE DISTANCE



USER INSTRUCTIONS

- The installation of the unit must be done by a qualified electrician.
- The unit must be earthed in case an earth connecting point exists.
- Ensure that the mains is switched off during servicing.
- Do not use bulb(s) bigger than the indicated on units name-plate or packaging.
- Ensure that after the installation, the unit is properly fixed and the cable clamps (if exist) are well tightened.
- Manufacturer will not accept liability for injury or damage resulting from incorrect use or installation
- The unit is not intended to operate in loop connection.
- Wall plugs and terminals are not included.
- LED modules are replaced only by the manufacturer.



Factory

5 Kefalovrisou Str., Monomati, Acharnai, P.O. Box 13677, Athens, Greece | Tel: (+30) 210 6208 230 | E-mail: info@bright.gr | www.bright.gr



NOTUS 16 TRIMLESS LINEAR LED false ceiling recessed

installation instructions

indoor/ profile



4 Apply grout

6 Remove the cover.

5 Paint ceiling without attaching the fixture

7

8 Remove the screws along LINEAR LED profile

CAUTION
Wear anti-static gloves

LINEAR LED profile is secured on the fixture with a safety wire.

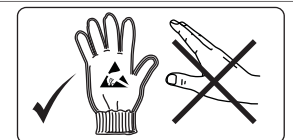
Please **notice** the screw gasket between the modules.

Remove LINEAR LED to access profile for wiring connection

USER INSTRUCTIONS

- The installation of the unit must be done by a qualified electrician.
- The unit must be earthed in case an earth connecting point exists.
- Ensure that the mains is switched off during servicing.
- Do not use bulb(s) bigger than the indicated on units name-plate or packaging.
- Ensure that after the installation, the unit is properly fixed and the cable clamps (if exist) are well tightened.
- Manufacturer will not accept liability for injury or damage resulting from incorrect use or installation
- The unit is not intended to operate in loop connection.
- Wall plugs and terminals are not included.
- LED modules are replaced only by the manufacturer.

CAUTION
Wear anti-static gloves before you touch LED systems



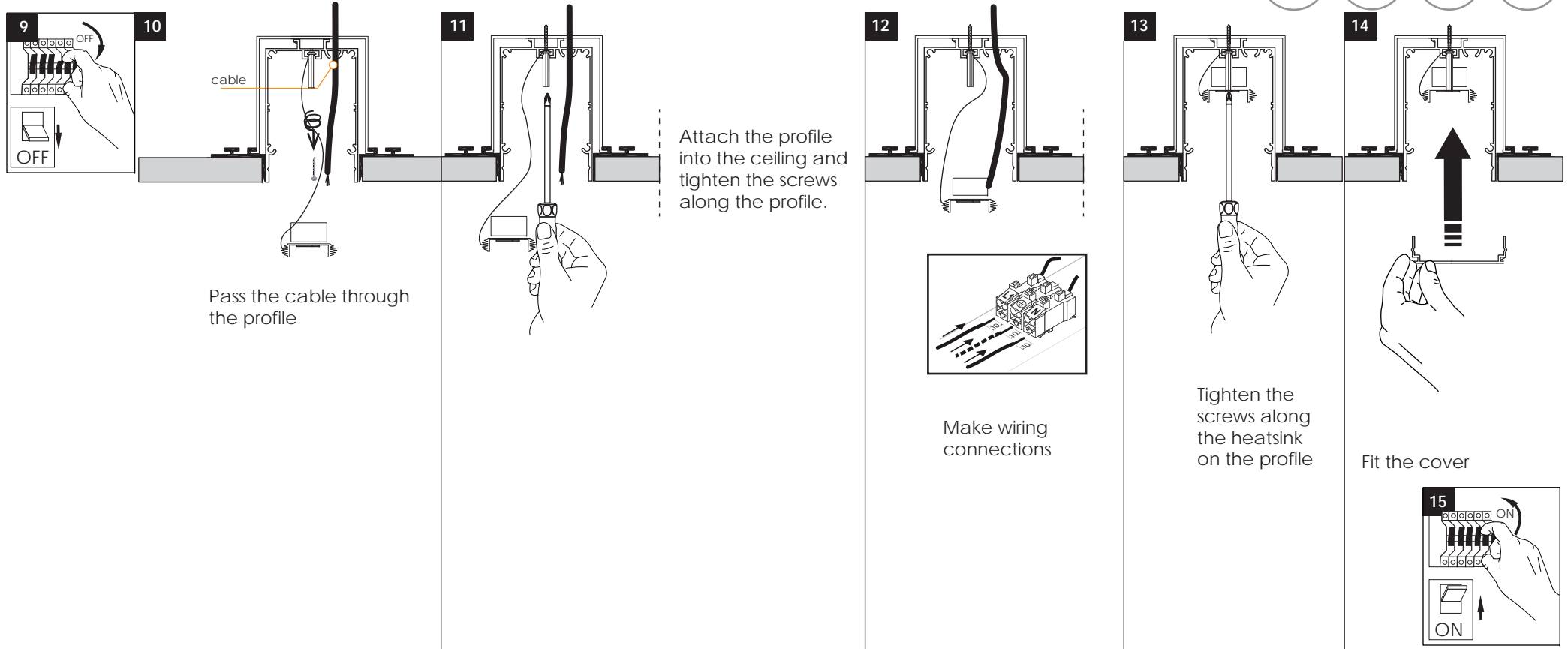
CAUTION
Replace any cracked shield



NOTUS 16 TRIMLESS LINEAR LED false ceiling recessed

installation instructions

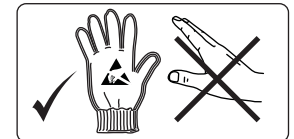
indoor/ profile



USER INSTRUCTIONS

- The installation of the unit must be done by a qualified electrician.
- The unit must be earthed in case an earth connecting point exists.
- Ensure that the mains is switched off during servicing.
- Do not use bulb(s) bigger than the indicated on units name-plate or packaging.
- Ensure that after the installation, the unit is properly fixed and the cable clamps (if exist) are well tightened.
- Manufacturer will not accept liability for injury or damage resulting from incorrect use or installation
- The unit is not intended to operate in loop connection.
- Wall plugs and terminals are not included.
- LED modules are replaced only by the manufacturer.

CAUTION
Wear anti-static gloves before you touch LED systems



CAUTION
Replace any cracked shield

