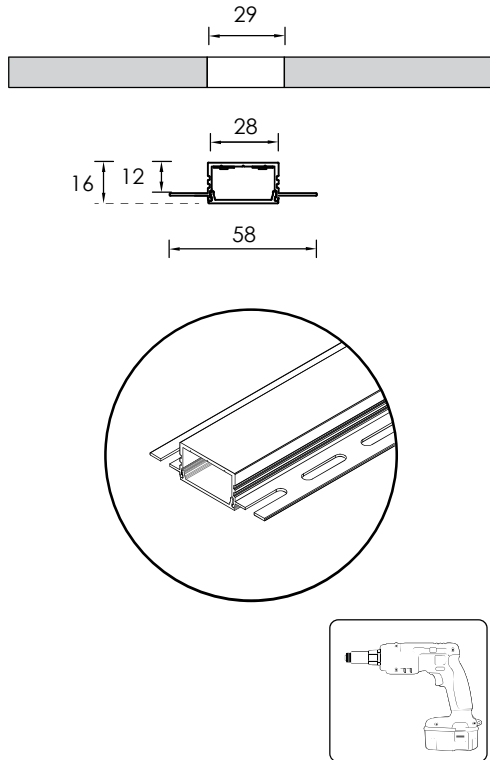


COMIS 10 STATUS

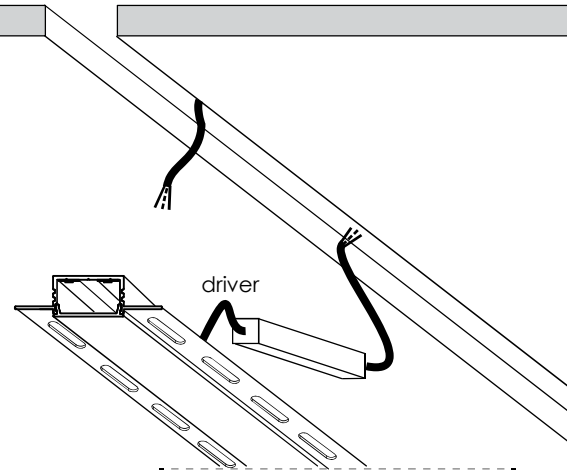
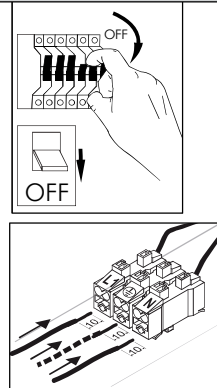
⊕ indoor/ profile



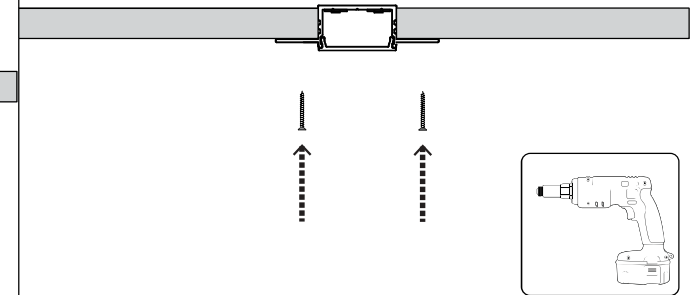
1 Cut the hole on ceiling.



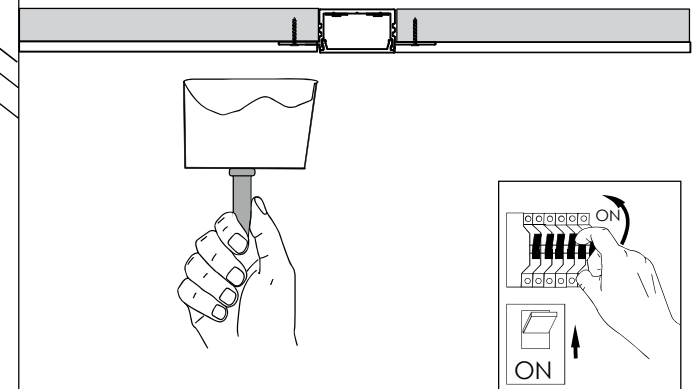
2 Make wiring connections.
Insert the luminaire in the ceiling.



3 Screw the fixture on ceiling.



4 Grout and paint the ceiling.

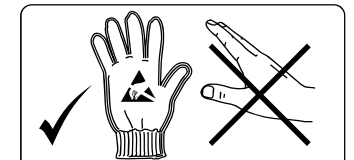


USER INSTRUCTIONS

- The installation of the unit must be done by a qualified electrician.
- The unit must be earthed in case an earth connecting point exists.
- Ensure that the mains is switched off during servicing.
- Do not use bulb(s) bigger than the indicated on units name-plate or packaging.
- Ensure that after the installation, the unit is properly fixed and the cable clamps (if exist) are well tightened.
- Manufacturer will not accept liability for injury or damage resulting from incorrect use or installation
- The unit is not intended to operate in loop connection.
- Wall plugs and terminals are not included.
- LED modules are replaced only by the manufacturer.

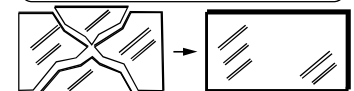
CAUTION

Wear anti-static gloves before you touch LED systems



CAUTION

Replace any cracked shield



IP40