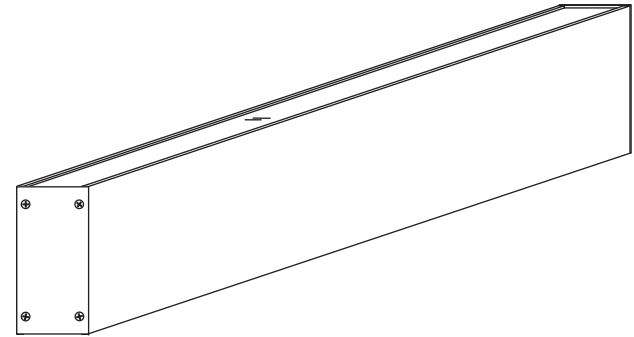


NOTUS 17 UP DOWN WALL


INSTALLATION INSTRUCTIONS FOR LUMINAIRE NOTUS 17 UP DOWN WALL

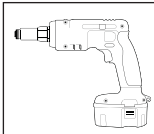
1



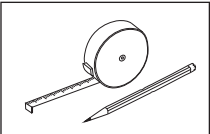
back side

Measure distance between the (2) holes and mark on the wall. Then, make your holes on the wall to fit the wall plugs and screws.

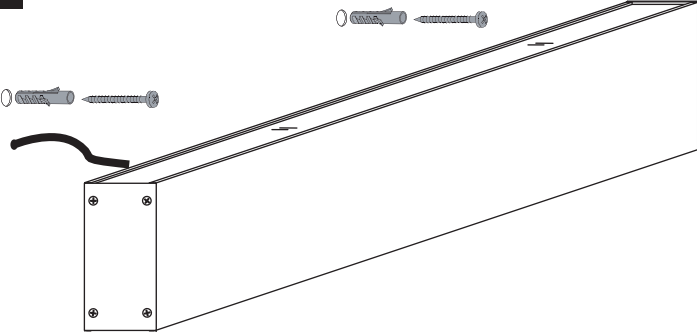




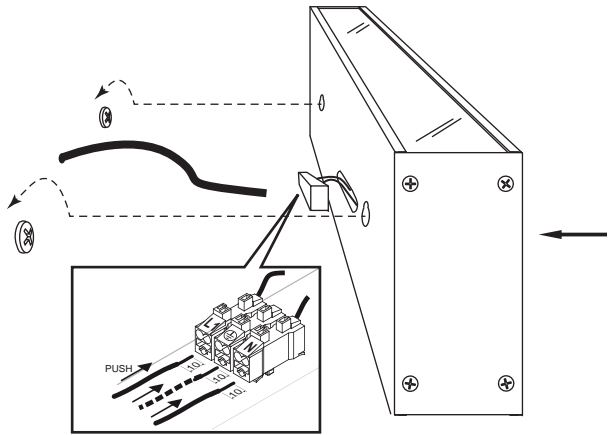
Tool accessories



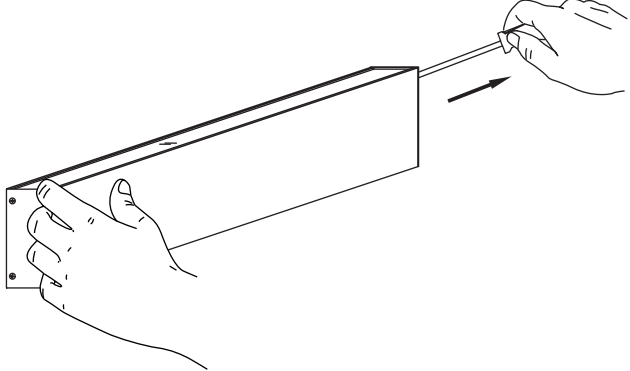
2 Installation



Hang the lighting fixture on the appropriate screws. Make wiring connections

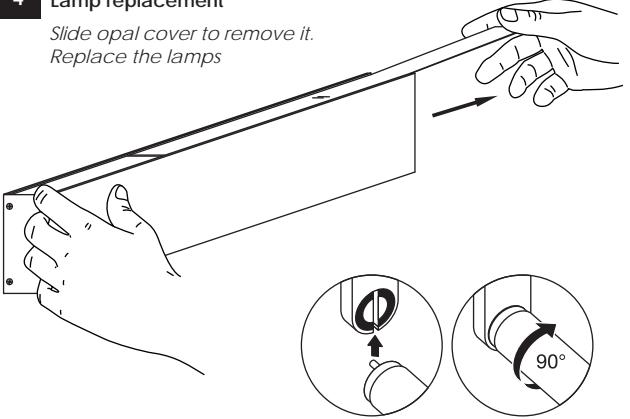


3 Loosen the (4) screws of the end cap to remove the cap



4 Lamp replacement

Slide opal cover to remove it. Replace the lamps



USER INSTRUCTIONS

- The installation of the unit must be done by a qualified electrician.
- The unit must be earthed in case an earth connecting point exists.
- Ensure that the mains is switched off during servicing.
- Do not use bulb(s) bigger than the indicated on units name-plate or packaging.
- Ensure that after the installation, the unit is properly fixed and the cable clamps (if exist) are well tightened.
- Manufacturer will not accept liability for injury or damage resulting from incorrect use or installation
- The unit is not intended to operate in loop connection.
- Wall plugs and terminals are not included.



Date Issued: October 2014