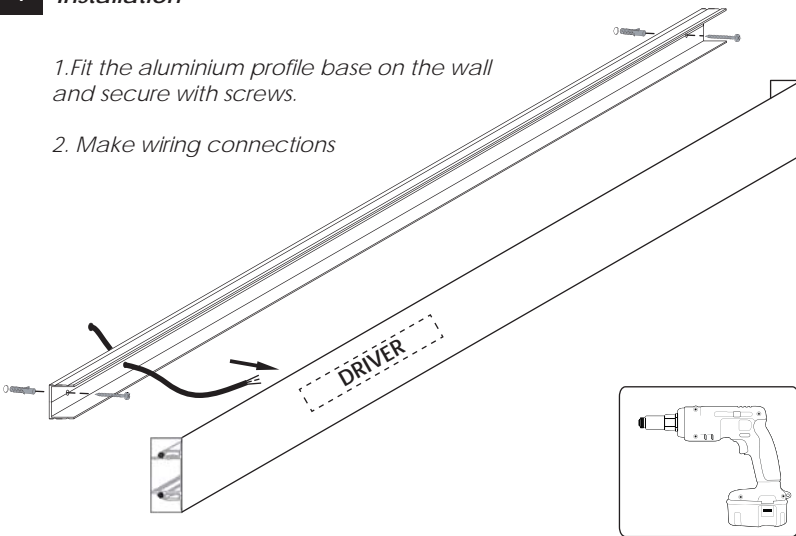


COMIS 4 OPAL UP- DOWN TAPE LED

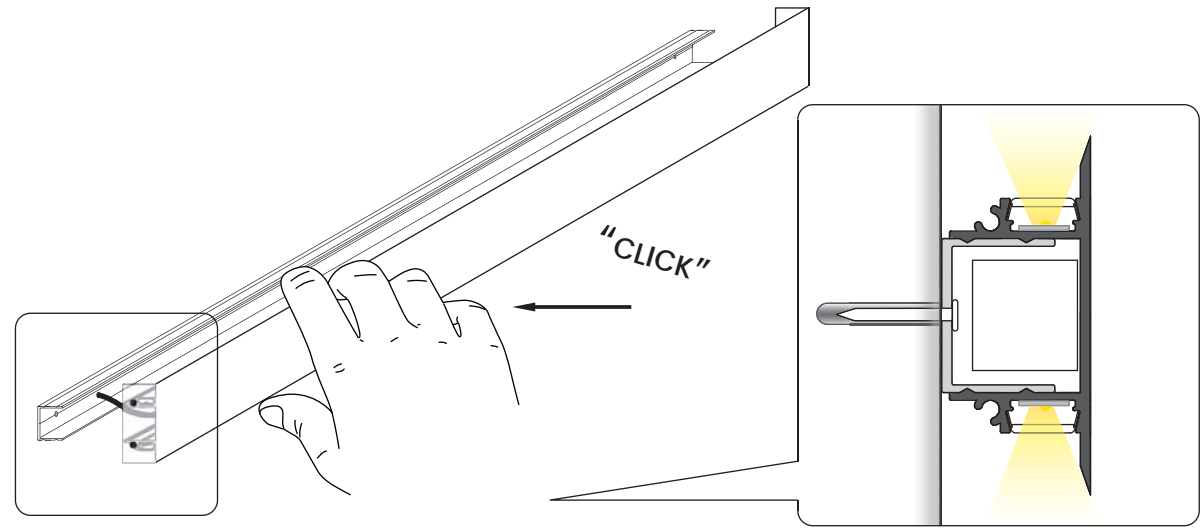
INSTALLATION INSTRUCTIONS FOR LUMINAIRE COMIS 4 OPAL UP DOWN TAPE LED

1 Installation

1. Fit the aluminium profile base on the wall and secure with screws.
2. Make wiring connections

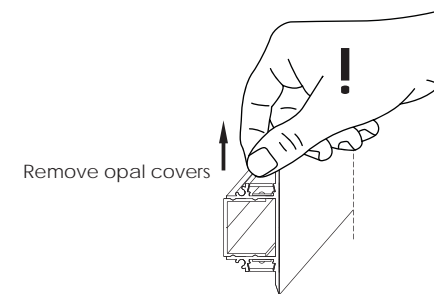
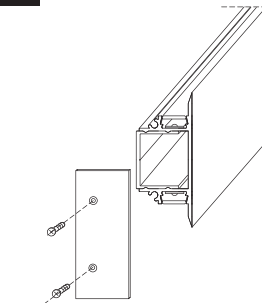


2 Push the fitting into the wall base.

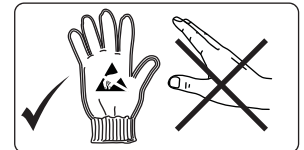


3 Maintenance

Release the 2 screws and remove the cap of the fitting to access the TAPE LED and the opal covers.



CAUTION
Wear anti-static gloves before you touch LED systems



USER INSTRUCTIONS

- The installation of the unit must be done by a qualified electrician.
- The unit must be earthed in case an earth connecting point exists.
- Ensure that the mains is switched off during servicing.
- Do not use bulb(s) bigger than the indicated on units name-plate or packaging.
- Ensure that after the installation, the unit is properly fixed and the cable clamps (if exist) are well tightened.
- Manufacturer will not accept liability for injury or damage resulting from incorrect use or installation
- The unit is not intended to operate in loop connection.
- Wall plugs and terminals are not included.



Date Issued: June 2014