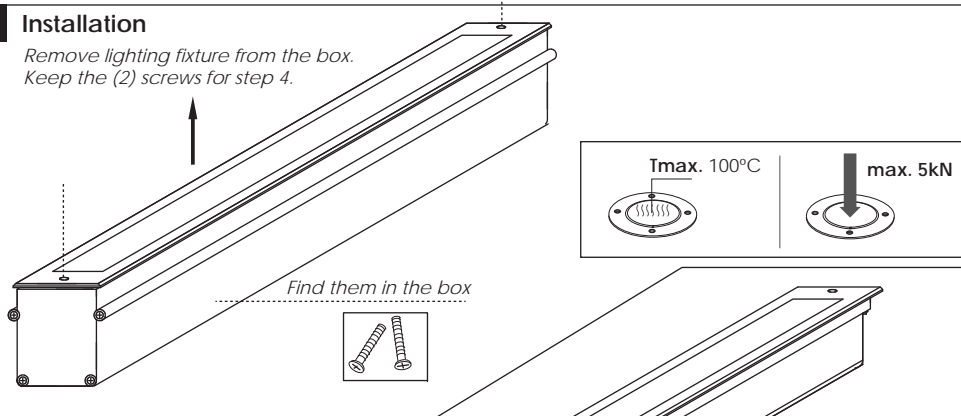


REGIO GROUND H.P.LED

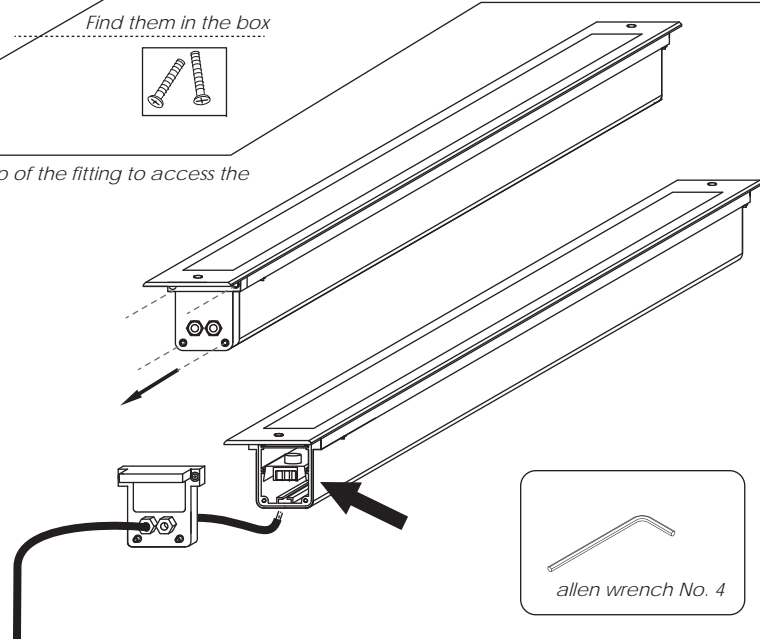
INSTALLATION INSTRUCTIONS FOR LUMINAIRE REGIO GROUND H.P.LED

1 Installation

Remove lighting fixture from the box.
Keep the (2) screws for step 4.

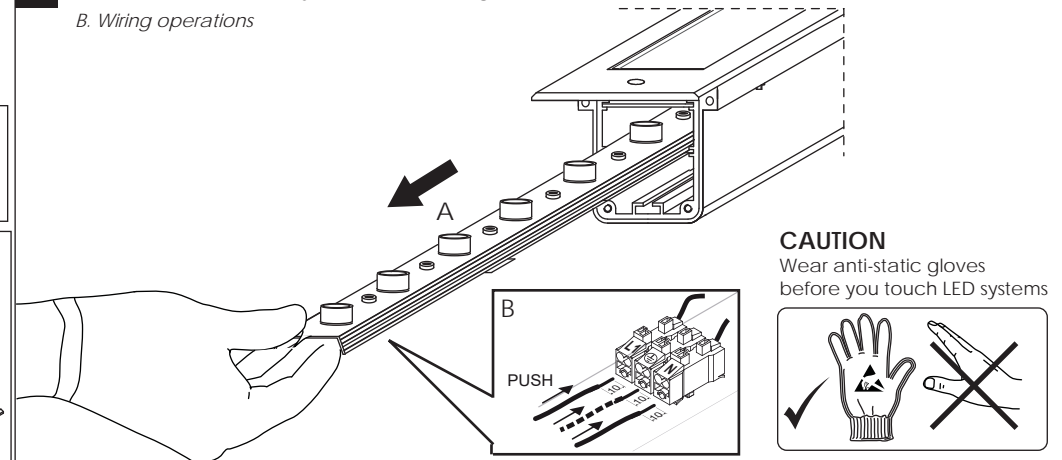


2 Remove the end cap of the fitting to access the terminal.

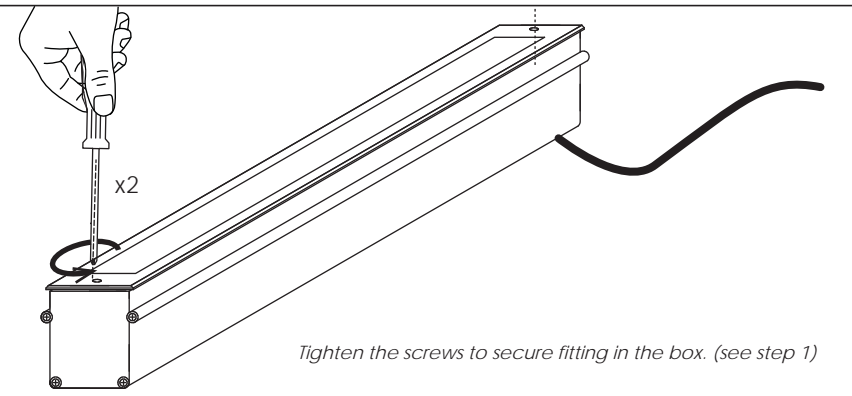


3

A. Slide out the inner body of the fixture. Drag it from the aluminium heat sink
B. Wiring operations



4



USER INSTRUCTIONS

- The installation of the unit must be done by a qualified electrician.
- The unit must be earthed in case an earth connecting point exists.
- Ensure that the mains is switched off during servicing.
- Do not use bulb(s) bigger than the indicated on units name-plate or packaging.
- Ensure that after the installation, the unit is properly fixed and the cable clamps (if exist) are well tightened.
- Manufacturer will not accept liability for injury or damage resulting from incorrect use or installation
- The unit is not intended to operate in loop connection.
- Wall plugs and terminals are not included.
- LED modules are replaced only by the manufacturer.

IP67  

Last updated: OCT 2018

BR//GHT
SPECIAL LIGHTING

www.bright.gr

Factory: 5 Kefalovrisou Str., Monomati, Axarnai, P.O. Box 13677, Athens, Greece
Tel: (+30) 210 6208 230 Fax: (+30) 210 62 08 262

