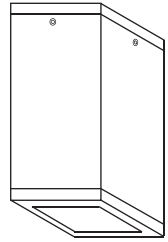


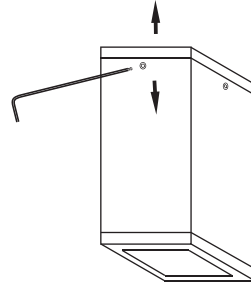
TERES 1 SQUARE CEILING

INSTALLATION INSTRUCTIONS FOR LUMINAIRE TERES 1 SQUARE CEILING



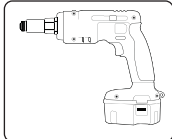
1 Installation

1. Release the (4) Allen screws with a wrench and remove the inner base.
2. Make wiring connections
3. Attach the luminaire on wall using screws and wall plugs.



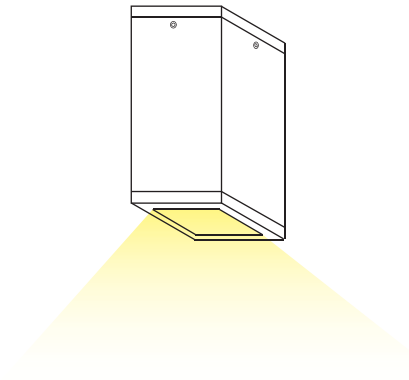
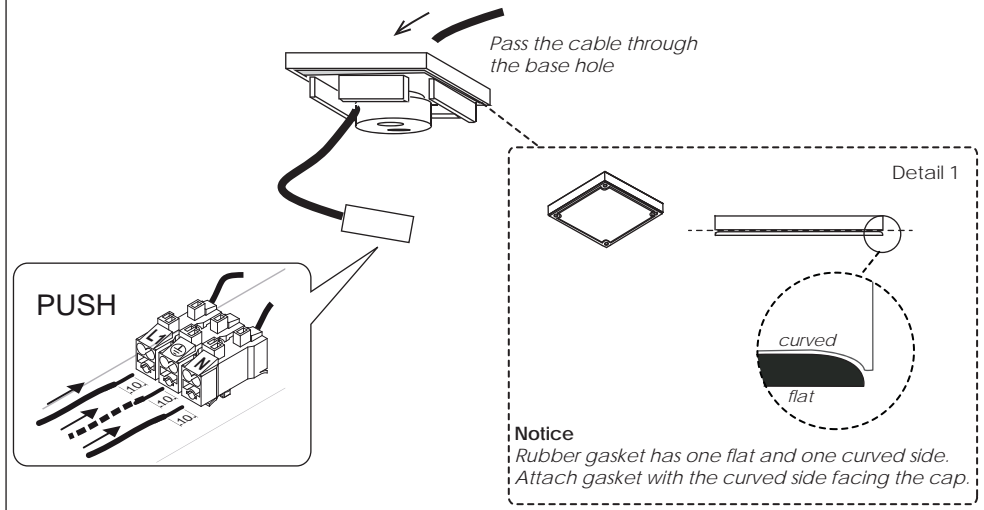
Tool accessories

allen wrench No 2.5



! Do not remove the silicon gaskets.

2 Attach the luminaire on the base wall and tighten the (4) screws.



USER INSTRUCTIONS

- The installation of the unit must be done by a qualified electrician.
- The unit must be earthed in case an earth connecting point exists.
- Ensure that the mains is switched off during servicing.
- Do not use bulb(s) bigger than the indicated on units name-plate or packaging.
- Ensure that after the installation, the unit is properly fixed and the cable clamps (if exist) are well tightened.
- Manufacturer will not accept liability for injury or damage resulting from incorrect use or installation
- The unit is not intended to operate in loop connection.
- Wall plugs and terminals are not included.
- LED modules are replaced only by the manufacturer.

IP65  

Date issued: July 2016

BR//GHT
SPECIAL LIGHTING

www.bright.gr

Factory: 5 Kefalovrisou Str., Monomati, Aharnai, P.O. Box 13677, Athens, Greece
Tel: (+30) 210 6208 230 Fax: (+30) 210 62 08 262

