

B R // G H T[®]
SPECIAL LIGHTING



SERENO
URBAN LIGHTING

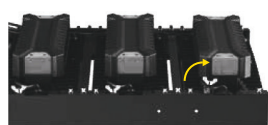
APPLICATIONS

• Outdoor large sports arenas • Port Container Facilities • Outdoor football fields • Large Area Industrial

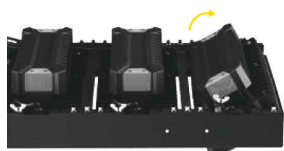


SPECIFICATION FEATURES

Rotation



Screw off the wing nuts to the horizon of rear of light.



Rotational angle of single light $\pm 30^\circ$.



Revolving the arrow to the horizontal of bracket, slideable gear.

Installation

Multiple installation available

Trunion Mount Kit



Stereo Base Installation



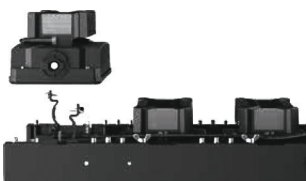
Knuckle Mount Slip Fitter Kit



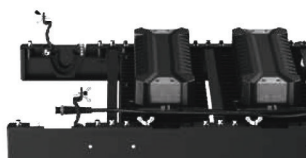
Lumosa Tiny



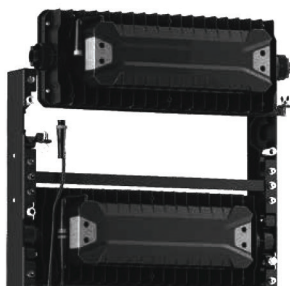
Replace the light



Screw off the wing nuts and revolve it to 90° .



Fetch out the defective lights.



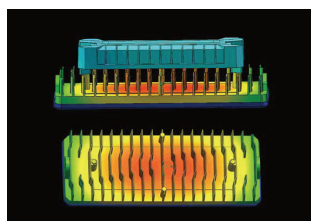
Put the lights to the clip, screw down the wing nuts to 90° angle. Insert the waterproof connector to the socket, light up the light.



Light barrier



Laser diode aiming device



Temperature simulation, Driver temperature rise 32°
Chip temperature rise 60°



Waterproofing grade IP66

TECHNICAL DETAILS

SERENO 250W



Specifications

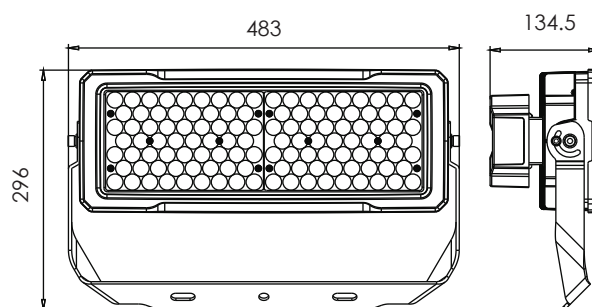
Optical Data

Wattage	250W
LED Type	Philips/Samsung
Efficiency	130Lm/W
Luminous Flux	32,500 ~ 37,500Lm
CCT	3000K / 4000K / 5000K / 5700K / 6500K
Beam Angle	10° / 30° / 60° / 120° / 150°*60° / T3-VS
CRI	>70Ra
System Efficiency	>90%



Electrical Data

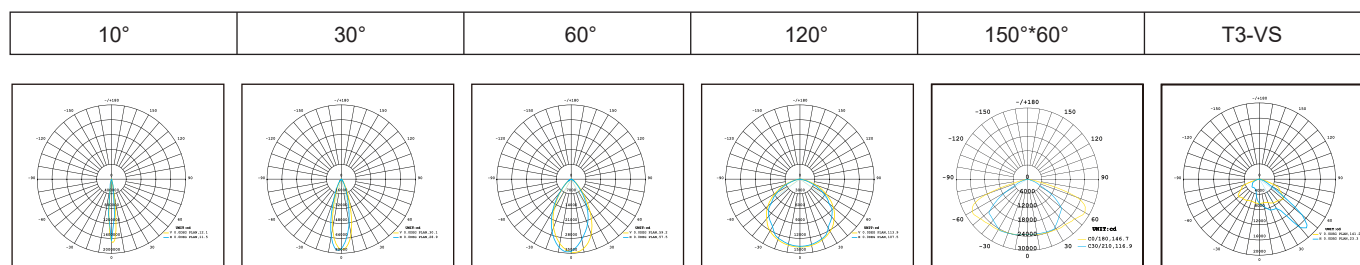
Power Supply	Meanwell driver
Input Voltage	AC100-277V / AC240-480V
Power Frequency	50 / 60Hz
Output Voltage	DC48V
Power Efficiency	92%
Power Factor	0.95
Total Harmonic Distortion	<15%



Others

IP Rating	IP66
Lifetime(L70 Standard)	50,000 hours
Heat Radiator	Die-cast aluminum
Lens Material	PC
Gross Weight	7.3kg

Photometric Diagrams



TECHNICAL DETAILS

SERENO 500W



Specifications

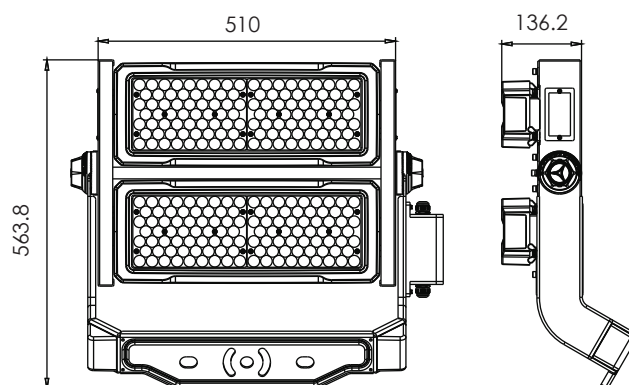
Optical Data

Wattage	500W
LED Type	Philips/Samsung
Efficiency	130 ~ 150Lm/W
Luminous Flux	65,000 ~ 75,000Lm
CCT	3000K / 4000K / 5000K / 5700K / 6500K
Beam Angle	10° / 30° / 60° / 120° / 150°*60° / T3-VS
CRI	>70Ra
System Efficiency	>90%



Electrical Data

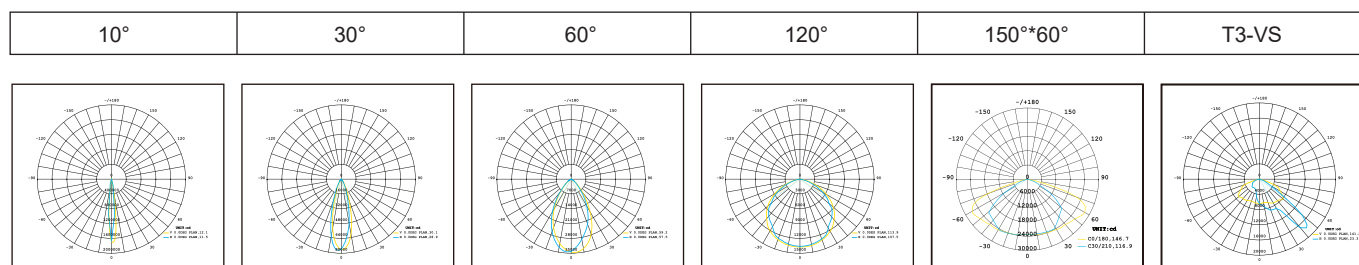
Power Supply	Meanwell driver
Input Voltage	AC100-277V / AC240-480V
Power Frequency	50 / 60Hz
Output Voltage	DC48V
Power Efficiency	92%
Power Factor	0.95
Total Harmonic Distortion	<15%



Others

IP Rating	IP66
Lifetime(L70 Standard)	50,000 hours
Heat Radiator	Die-cast aluminum
Lens Material	PC
Gross Weight	20.6kg

Photometric Diagrams



TECHNICAL DETAILS

SERENO 750W



Specifications

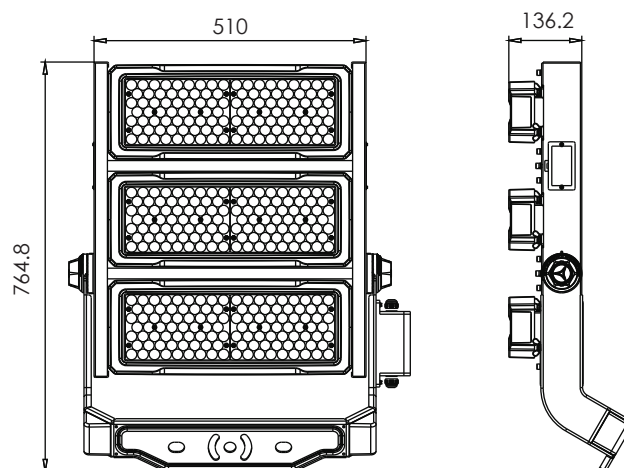
Optical Data

Wattage	750W
LED Type	Philips/Samsung
Efficiency	130 ~150Lm/W
Luminous Flux	97,500 ~112,500Lm
CCT	3000K / 4000K / 5000K / 5700K / 6500K
Beam Angle	10° / 30° / 60° / 120° / 150°*60° / T3-VS
CRI	>70Ra
System Efficiency	>90%



Electrical Data

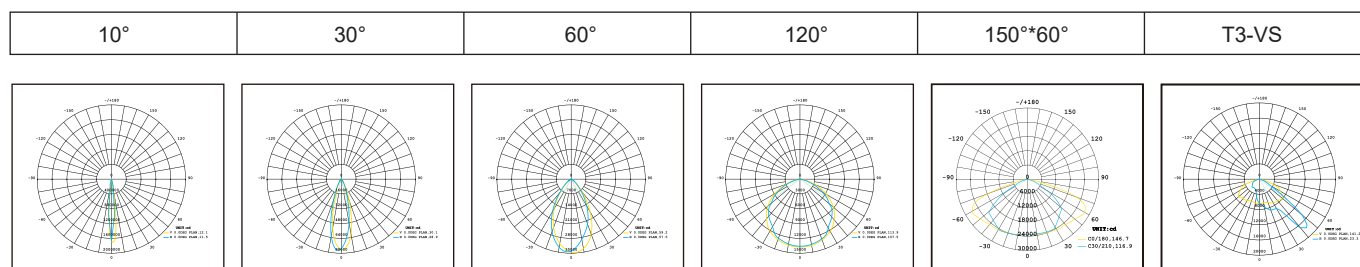
Power Supply	Meanwell driver
Input Voltage	AC100-277V / AC240-480V
Power Frequency	50 / 60Hz
Output Voltage	DC48V
Power Efficiency	92%
Power Factor	0.95
Total Harmonic Distortion	<15%



Others

IP Rating	IP66
Lifetime(L70 Standard)	50,000 hours
Heat Radiator	Die-cast aluminum
Lens Material	PC
Gross Weight	28kg

Photometric Diagrams



TECHNICAL DETAILS

SERENO 1000W



Specifications

Optical Data

Wattage	1000W
LED Type	Philips/Samsung
Efficiency	130 ~150Lm/W
Luminous Flux	130,000 ~150,000Lm
CCT	3000K / 4000K / 5000K / 5700K / 6500K
Beam Angle	10° / 30° / 60° / 120° / 150°*60° / T3-VS
CRI	>70Ra
System Efficiency	>90%

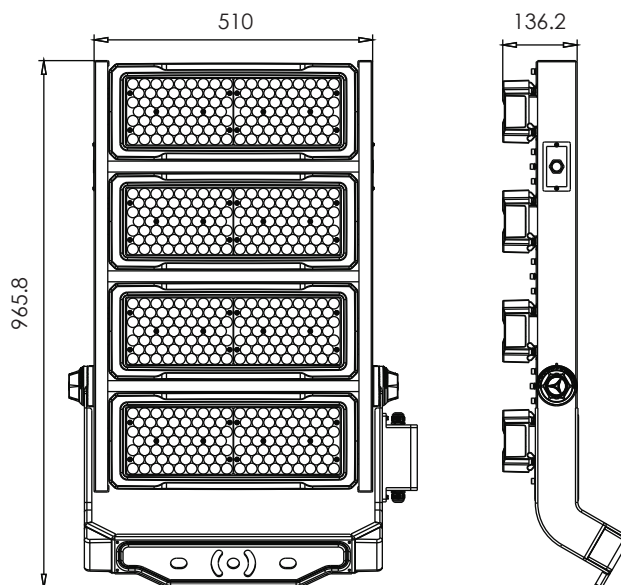


Electrical Data

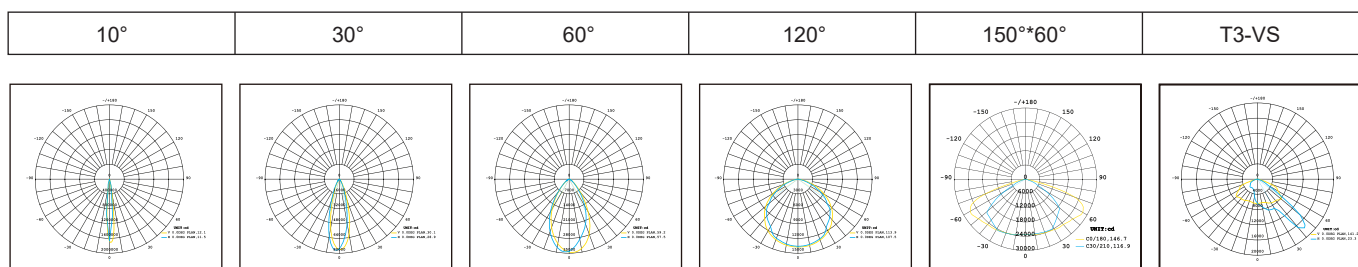
Power Supply	Meanwell driver
Input Voltage	AC100-277V / AC240-480V
Power Frequency	50 / 60Hz
Output Voltage	DC48V
Power Efficiency	92%
Power Factor	0.95
Total Harmonic Distortion	<15%

Others

IP Rating	IP66
Lifetime(L70 Standard)	50,000 hours
Heat Radiator	Die-cast aluminum
Lens Material	PC
Gross Weight	35kg



Photometric Diagrams



TECHNICAL DETAILS

SERENO 1250W



Specifications

Optical Data

Wattage	1250W / 1500W
LED Type	Philips/Samsung
Efficiency	130 ~ 150Lm/W
Luminous Flux	162,500 ~ 187,500Lm
CCT	3000K / 4000K / 5000K / 5700K / 6500K
Beam Angle	10° / 30° / 60° / 120° / 150°*60° / T3-VS
CRI	>70Ra
System Efficiency	>90%

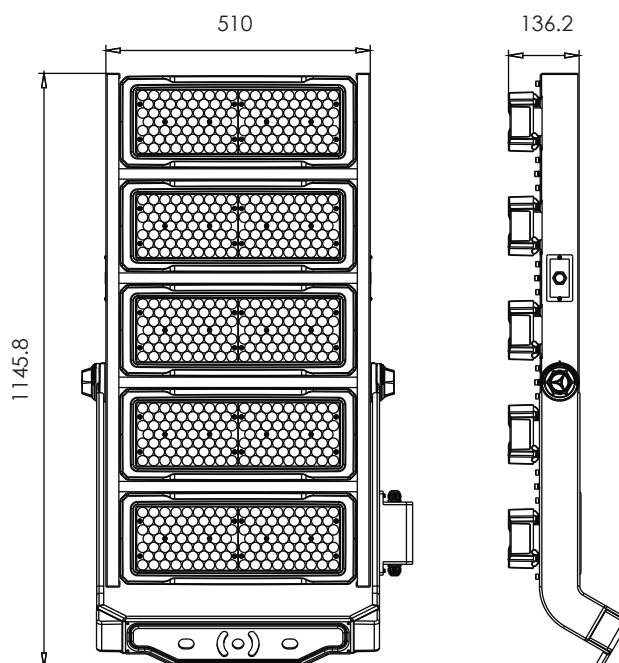


Electrical Data

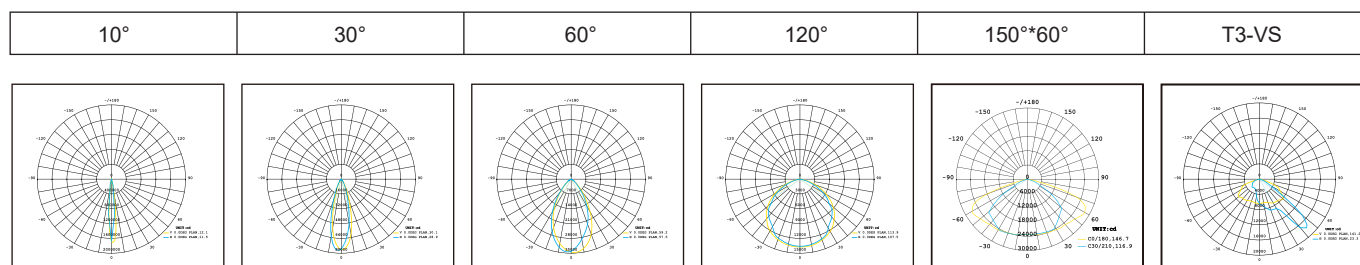
Power Supply	Meanwell driver
Input Voltage	AC100-277V / AC240-480V
Power Frequency	50 / 60Hz
Output Voltage	DC48V
Power Efficiency	92%
Power Factor	0.95
Total Harmonic Distortion	<15%

Others

IP Rating	IP66
Lifetime(L70 Standard)	50,000 hours
Heat Radiator	Die-cast aluminum
Lens Material	PC
Gross Weight	43.5kg



Photometric Diagrams



B R // G H T[®]

SPECIAL LIGHTING

Headoffice / Showroom: 13 S. Venizelou Avenue, Likovrisi, P.O. Box 14123, Athens, Greece
Tel: (+30) 210 28 51 304 Fax: (+30) 210 28 51 306

Showroom: 3 Alimou Avenue, Alimos, P.O. Box 17455, Athens, Greece
Tel: (+30) 210 98 83 722 Fax: (+30) 210 98 83 726

Showroom: 119 Kifisias Avenue, Marousi, P.O. Box 15125, Athens, Greece
Tel: (+30) 210 80 64 181 Fax: (+30) 210 80 64 194

Showroom: 6 Kazantzidi Avenue, Iraklio, P.O. Box 71601, Crete, Greece
Tel: (+30) 2810 210 480 Fax: (+30) 2810 210 482

Showroom: 101 E. Adistaseos Avenue, Kalamaria, P.O. Box 55134, Thessaloniki, Greece
Tel: (+30) 2310 48 18 48 Fax: (+30) 2310 48 18 28

Factory - Financial Services: 5 Kefalovrisou Street, Monomati, Aharmai, P.O. Box 13677, Athens, Greece
Tel: (+30) 210 62 08 230 Fax: (+30) 210 62 08 262

Quality Management Laboratory: 5 Kefalovrisou Street, Monomati, Aharmai, P.O. Box 13677, Athens, Greece
Tel: (+30) 210 62 08 230 Fax: (+30) 210 62 08 262

www.bright.gr | info@bright.gr