

# VILLA



## ■ PRODUCT BENEFITS

- Energy efficient (up to 188 lm/W)
- Multiple lighting beams available
- Long lifetime (100,000 h L90B10)
- Constant Lumen Output (CLO)

## ■ EQUIPMENT / ACCESSORIES

- Mounting bracket
- SPD (Surge Protection Device)

## ■ AREAS OF APPLICATION

- Streets
- Parks
- Parking slots
- Pedestrian walkways
- Squares
- Industrial environments

# TECHNICAL DATA

## Electrical Data

Nominal Voltage	220-277 V
Mains frequency	0/50/60 Hz
Power Factor $\lambda$	>0.90
Output Current Ripple	$\leq 4\%$
Surge protection	10kV (or 12kV with SPD accessory)

## Photometric Data

Standard deviation of color matching (SDCM)	3-step McAdam
CRI	70   80 upon request
CCT	3.000K - 4.000K   (2.700K - 5.000K upon request)
Beam angle	Multiple lighting beams available upon request
Luminous efficacy	Up to 188 lm/W
Light emission	0% at 0° inclination

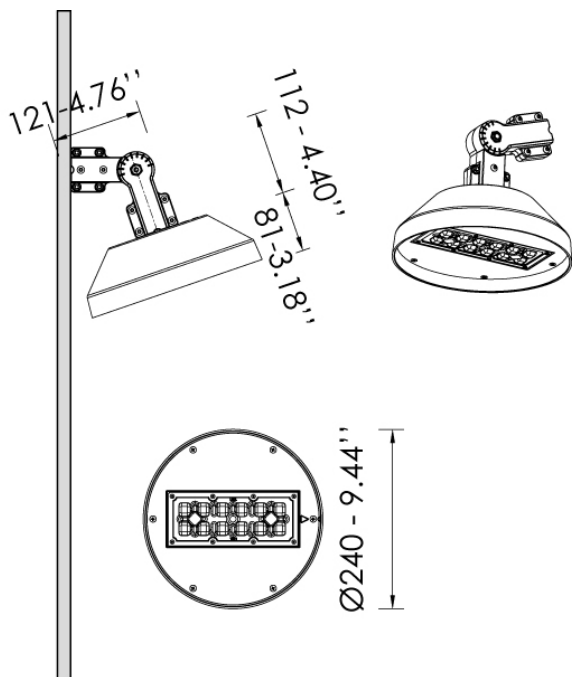
## Luminaire Output Data

3000K		
Power supply	Lumen	Watt
200ma	1070	7.5
350ma	1830	13
500ma	2540	19
600ma	2980	23

4000K		
Power supply	Lumen	Watt
200ma	1130	7.5
350ma	1930	13
500ma	2690	19
600ma	3150	23

# TECHNICAL DATA

## ■ Dimensions



## ■ Colors & Materials

Body material	Extruded aluminium
Housing color	-329 Green RAL 6001 Matt
Diffuser material	PMMA multi-lens with silicon seal

## ■ Temperatures & Operating Conditions

Ambient Temperature Range	-35...+45 °C
Ambient Relative Humidity Range	10...95% R.H.
Storage Temperature	-35...+75 °C
Max. Ambient Temperature for Lifetime	+35°C
Lifetime L90 at 45°C	100,000 h L90B10

# TECHNICAL DATA

## Safety Characteristics

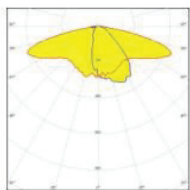
Impact Resistant (IK)	08
Ingress Protection (IP)	66
Protection Class	Class I   Class II
Glow Wire Test	650°C
Certifications	CE

## General Characteristics

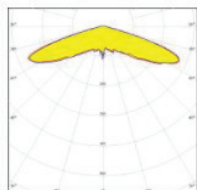
Wireless Connectivity	Upon request Smart Interface/IoT ready
Dimmable	Upon request AstroDIM   DALI 2.0
Connection Type	IP rated connector
LED module Replacement	Only by the manufacturer
Mounting Type	Pillar mounting   Wall mounting
Additional Features	Open load protection, Short circuit protection, Over power protection, Over temperature protection driver, Energy metering, Diagnostics, Auxiliary Power Supply ( $V_{aux}$ ), Constant Lumen Output (CLO), Zhaga Book 18 socket

## Light Distribution

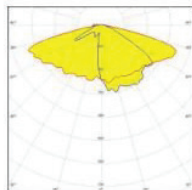
**CS 12862**  
Type IESNA II Medium



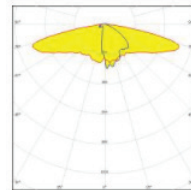
**CS 15020**  
Type IESNA V (Square)



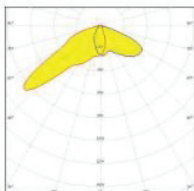
**CS 14143**  
Type IESNA III (medium)



**CS 15418**  
Type IESNA II/III (long)



**CS 16401**  
Double Asymmetric



More lighting beams available upon request

For warranty details see:

[https://www.bright.gr/uploads/files/2018/10/warranty\\_periods\\_v1\\_5\\_4696.pdf](https://www.bright.gr/uploads/files/2018/10/warranty_periods_v1_5_4696.pdf)

Warranty terms and conditions:

[https://www.bright.gr/uploads/files/2018/07/3013\\_3244.pdf](https://www.bright.gr/uploads/files/2018/07/3013_3244.pdf)