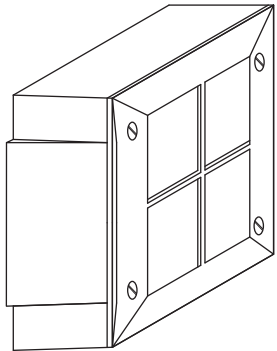


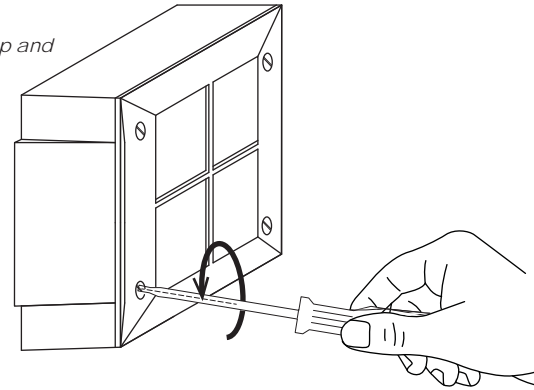
MINI VARIUS 3

👉 outdoor

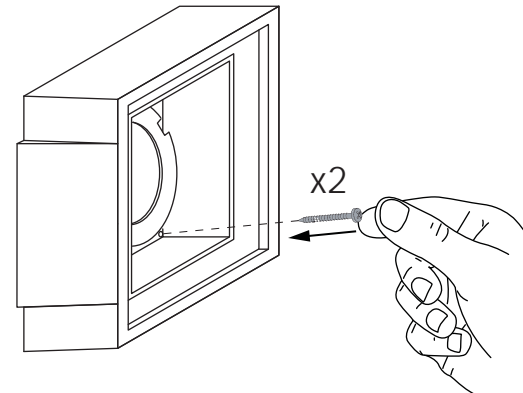
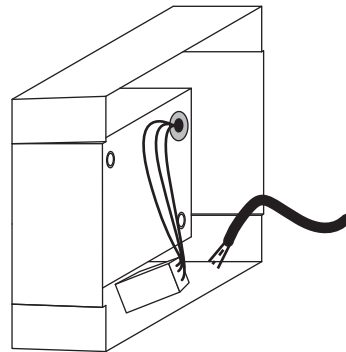


1 Installation

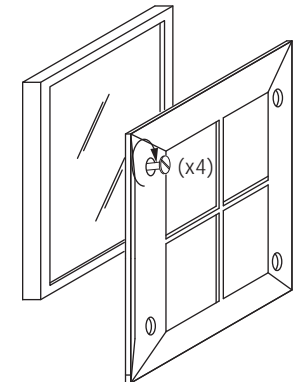
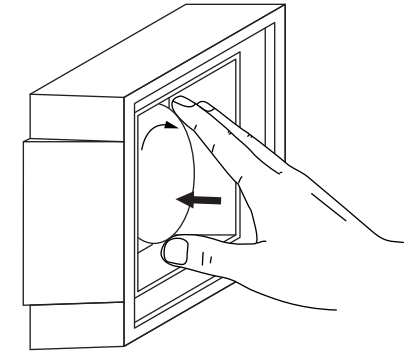
Unscrew the (4) screws and remove the cap and glass of the fixture.



2 Make wiring connections and then screw the fixture on the wall surface.



3 Fit the lamp



Place back to the fixture the glass with the silicone gasket and the cover cap.

USER INSTRUCTIONS

- The installation of the unit must be done by a qualified electrician.
- The unit must be earthed in case an earth connecting point exists.
- Ensure that the mains is switched off during servicing.
- Do not use bulb(s) bigger than the indicated on units name-plate or packaging.
- Ensure that after the installation, the unit is properly fixed and the cable clamps (if exist) are well tightened.
- Manufacturer will not accept liability for injury or damage resulting from incorrect use or installation
- The unit is not intended to operate in loop connection.
- Wall plugs and terminals are not included.
- LED modules are replaced only by the manufacturer.

IP65

BR//GHT
SPECIAL LIGHTING

Factory

5 Kefalovrisou Str., Monomati, Acharnai, P.O. Box 13677, Athens, Greece | Tel: (+30) 210 6208 230
E-mail: info@bright.gr | www.bright.gr

