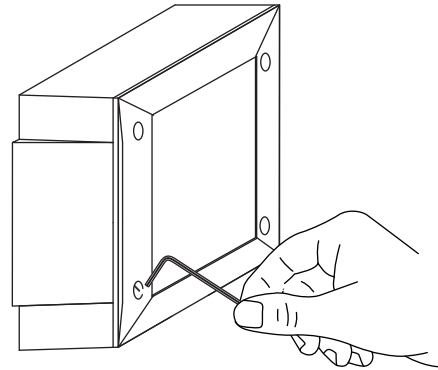
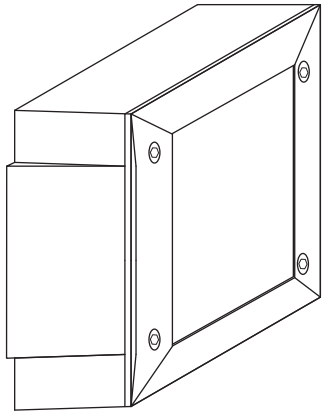


VARIUS 1

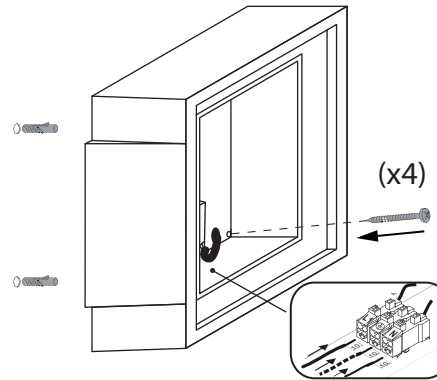
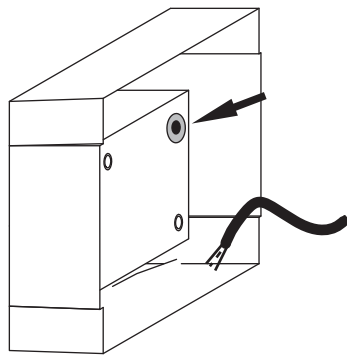
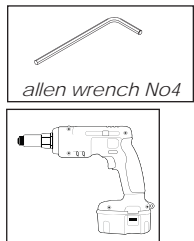
INSTALLATION INSTRUCTIONS OF LUMINAIRE VARIUS 1

1 Installation

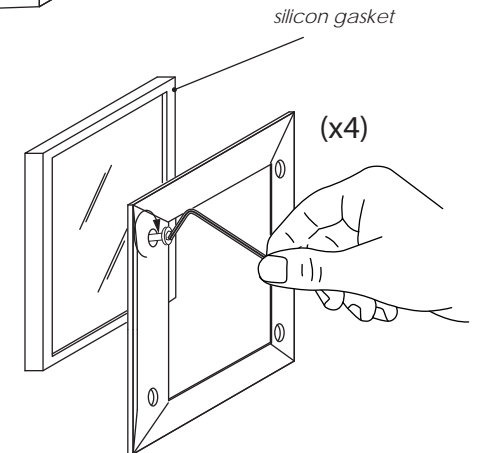
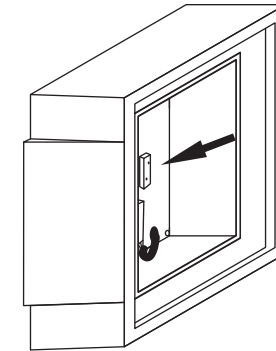
Unscrew the (4) allen screws with an allen wrench. Remove the glass and luminaire cap.



2 Pass cable through the base to make wiring connections. Screw the lighting fixture on the surface (wall/ceiling)



3 Insert the lamp



Fit the glass with the silicon gasket on the fixture and then attach the cap.

USER INSTRUCTIONS

- The installation of the unit must be done by a qualified electrician.
- The unit must be earthed in case an earth connecting point exists.
- Ensure that the mains is switched off during servicing.
- Do not use bulb(s) bigger than the indicated on units name-plate or packaging.
- Ensure that after the installation, the unit is properly fixed and the cable clamps (if exist) are well tightened.
- Manufacturer will not accept liability for injury or damage resulting from incorrect use or installation
- The unit is not intended to operate in loop connection.
- Wall plugs and terminals are not included.
- LED modules are replaced only by the manufacturer.

CAUTION
Replace any cracked shield



Last updated: November 2016