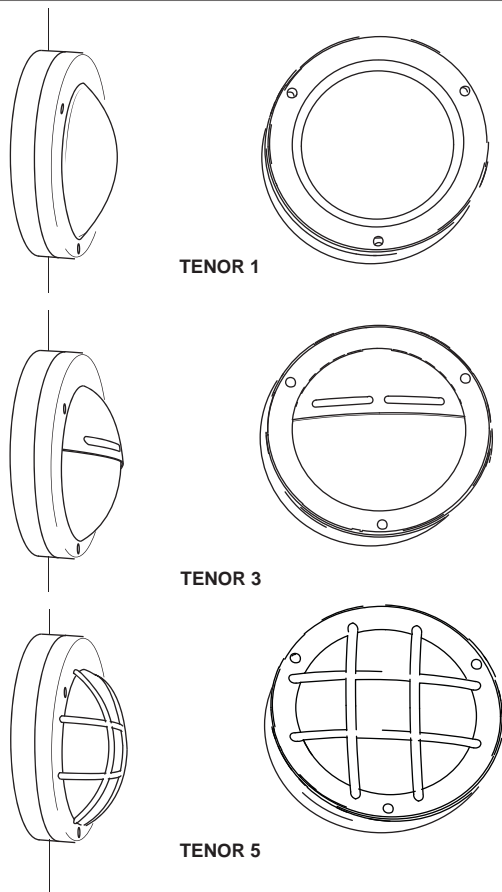


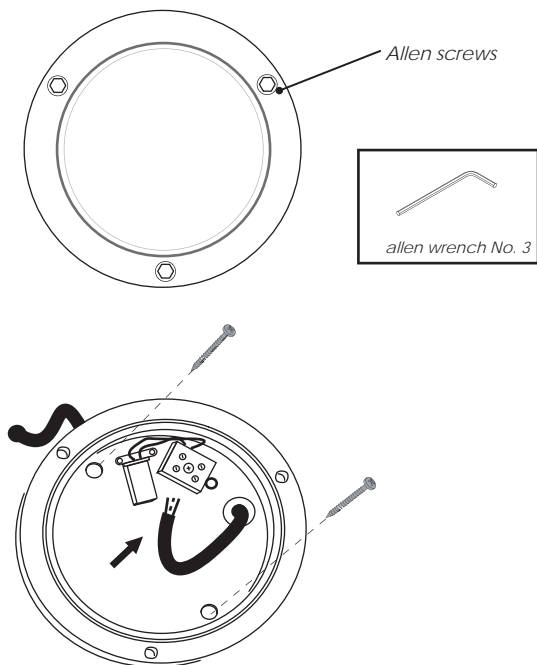
TENOR

INSTALLATION INSTRUCTIONS FOR LUMINAIRE TENOR



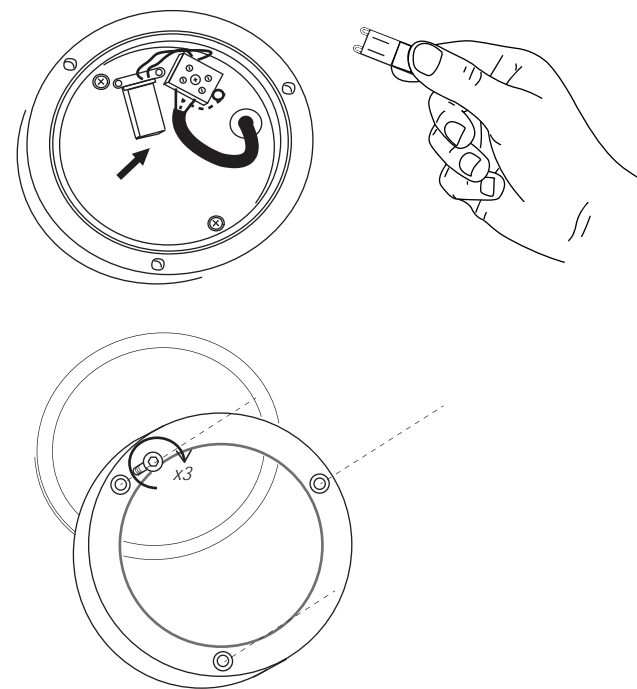
1 Installation

1. Release the (3) Allen screws with an allen wrench
2. Make wiring connections



2

- Screw the luminaire on wall or ceiling using screws and wall plugs. Insert the lamp in the lampholder.



Place the safety glass with the silicone rubber gasket in the fitting and then the cap. Tighten the Allen screws to secure cap.

USER INSTRUCTIONS

- The installation of the unit must be done by a qualified electrician.
- The unit must be earthed in case an earth connecting point exists.
- Ensure that the main supply is switched off during servicing.
- Do not use bulb(s) bigger than the indicated on units name-plate or packaging.
- Ensure that after the installation, the unit is properly fixed and the cable clamps (if exist) are well tightened.
- Manufacturer will not accept liability for injury or damage resulting from incorrect use or installation
- The unit is not intended to operate in loop connection.
- Wall plugs and terminals are not included.



Date issued: May 2014