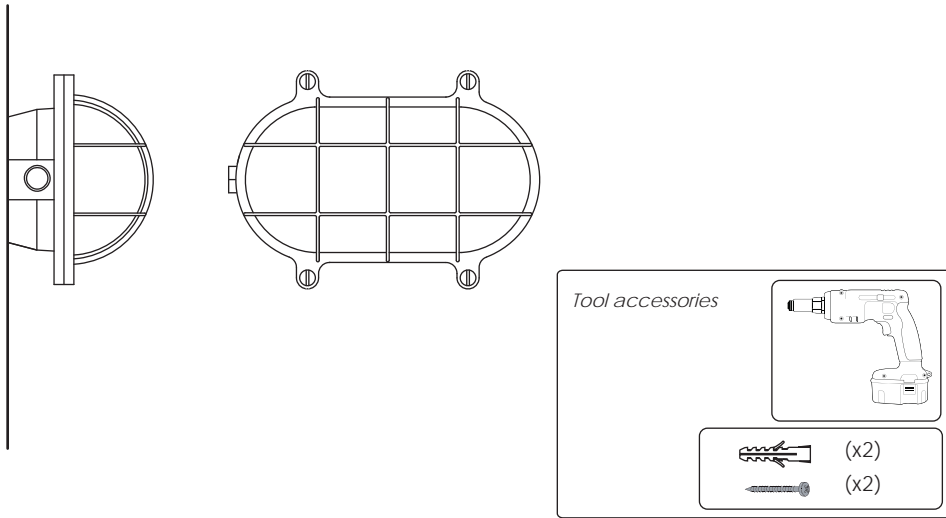
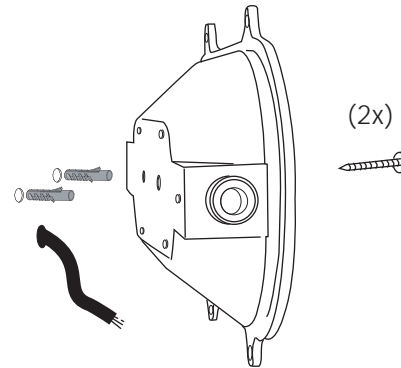


# PORTO 10 E27

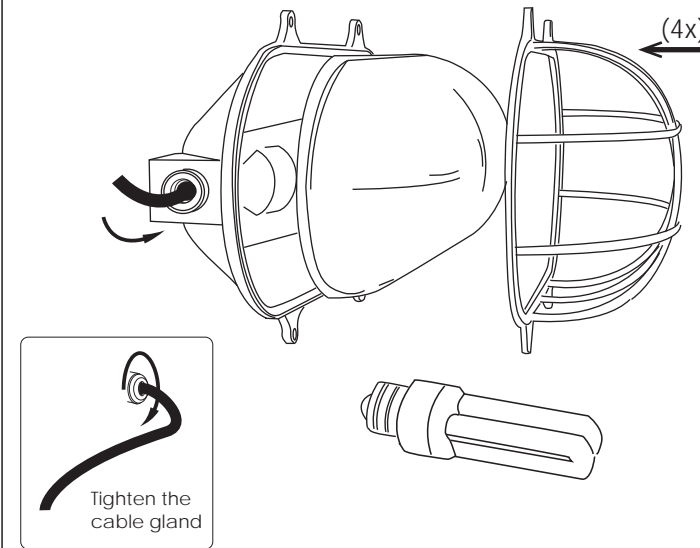
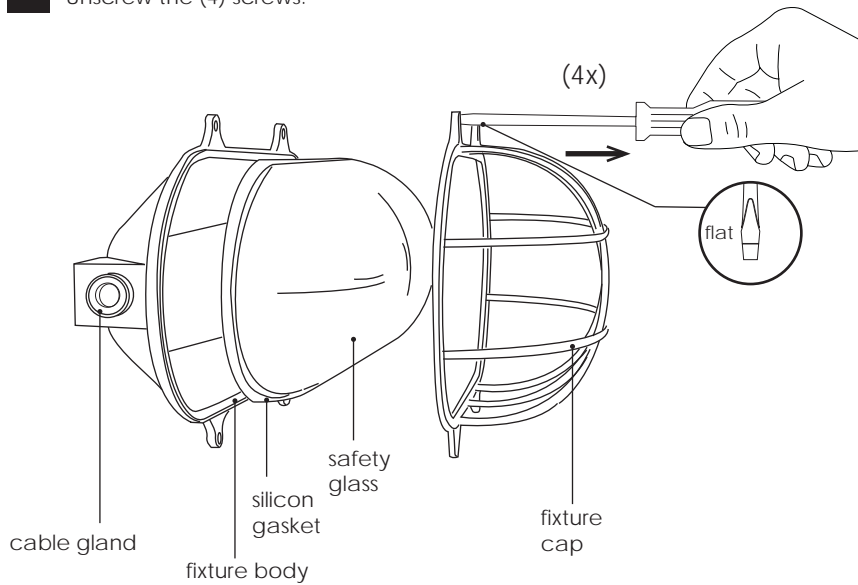
INSTALLATION INSTRUCTIONS FOR LUMINAIRE PORTO 10 E27



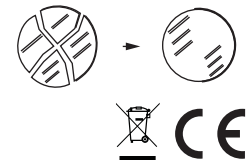
2 Attach on the wall with (2) screws.



3 Make wiring connections. Place the lamp to the lampholder. Fit the glass and screw the cap back to the fixture



CAUTION  
Replace any cracked shield



Date Issued: January 2016