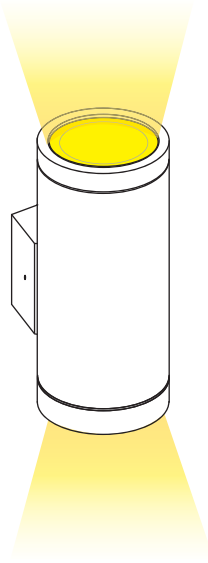


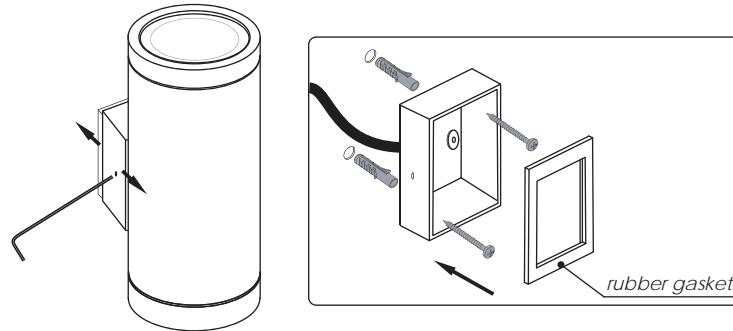
# TERES 2

## INSTALLATION INSTRUCTIONS FOR LUMINAIRE TERES 2

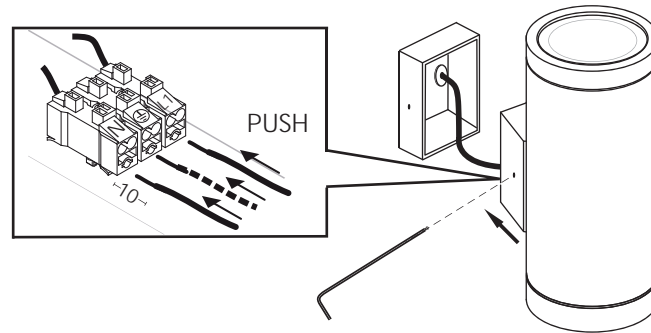


### 1 Installation

1. Release the (2) Allen screws with a wrench and remove the inner base.
2. Make wiring connections
3. Attach the luminaire on wall using screws and wall plugs.

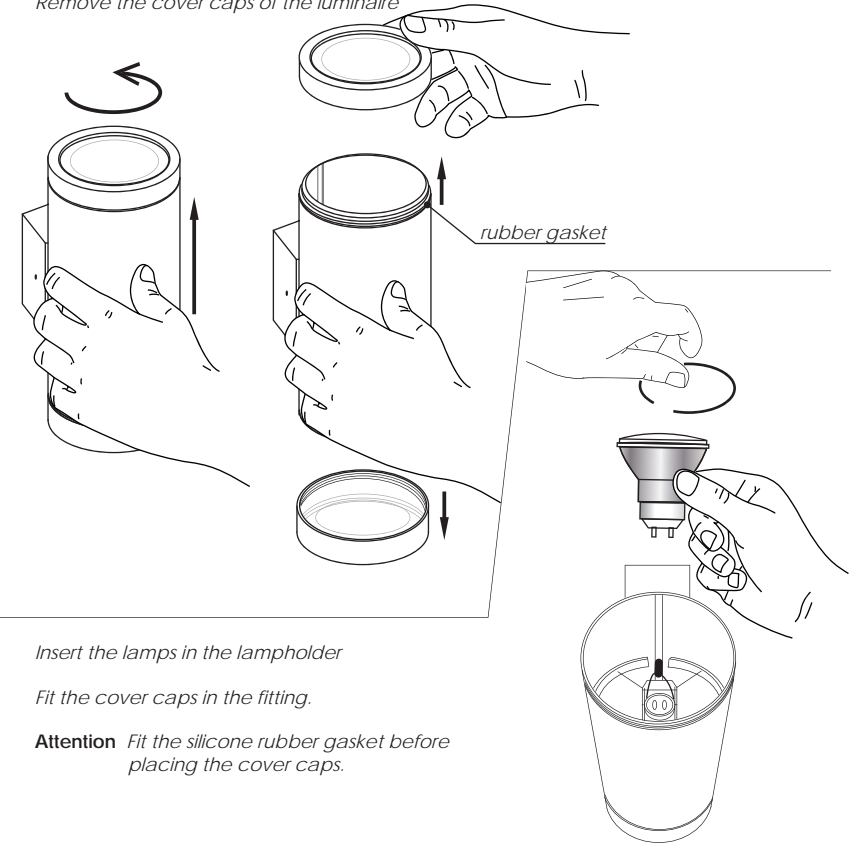


### 2 Attach the luminaire on the base wall and tighten the (2) screws.



### 3 Lamp replacement

Remove the cover caps of the luminaire



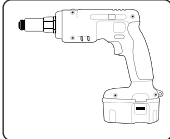
Insert the lamps in the lampholder

Fit the cover caps in the fitting.

**Attention** Fit the silicone rubber gasket before placing the cover caps.

#### Tool accessories

allen wrench No 2.5

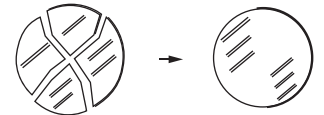


(x2)  
(x2)

#### USER INSTRUCTIONS

- The installation of the unit must be done by a qualified electrician.
- The unit must be earthed in case an earth connecting point exists.
- Ensure that the mains is switched off during servicing.
- Do not use bulb(s) bigger than the indicated on units name-plate or packaging.
- Ensure that after the installation, the unit is properly fixed and the cable clamps (if exist) are well tightened.
- Manufacturer will not accept liability for injury or damage resulting from incorrect use or installation
- The unit is not intended to operate in loop connection.
- Wall plugs and terminals are not included.

**CAUTION**  
Replace any cracked shield



IP65  

Date Issued: March 2016