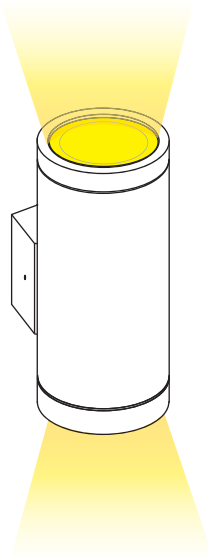


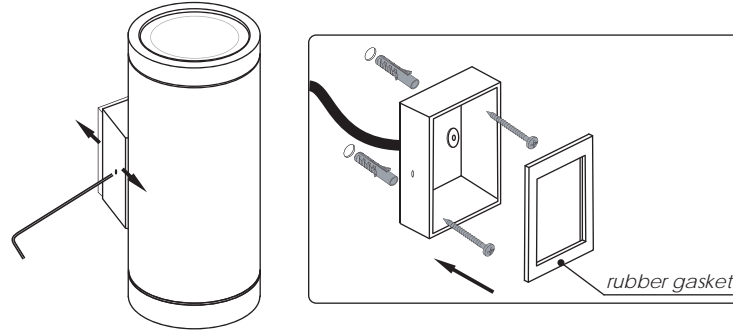
TERES M2

INSTALLATION INSTRUCTIONS FOR LUMINAIRE TERES M2

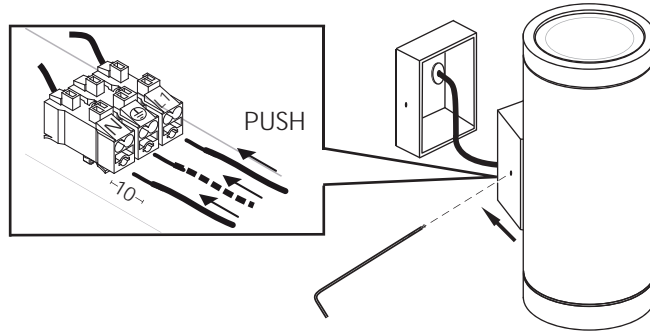


1 Installation

1. Release the (2) Allen screws with a wrench and remove the inner base.
2. Make wiring connections
3. Attach the luminaire on wall using screws and wall plugs.

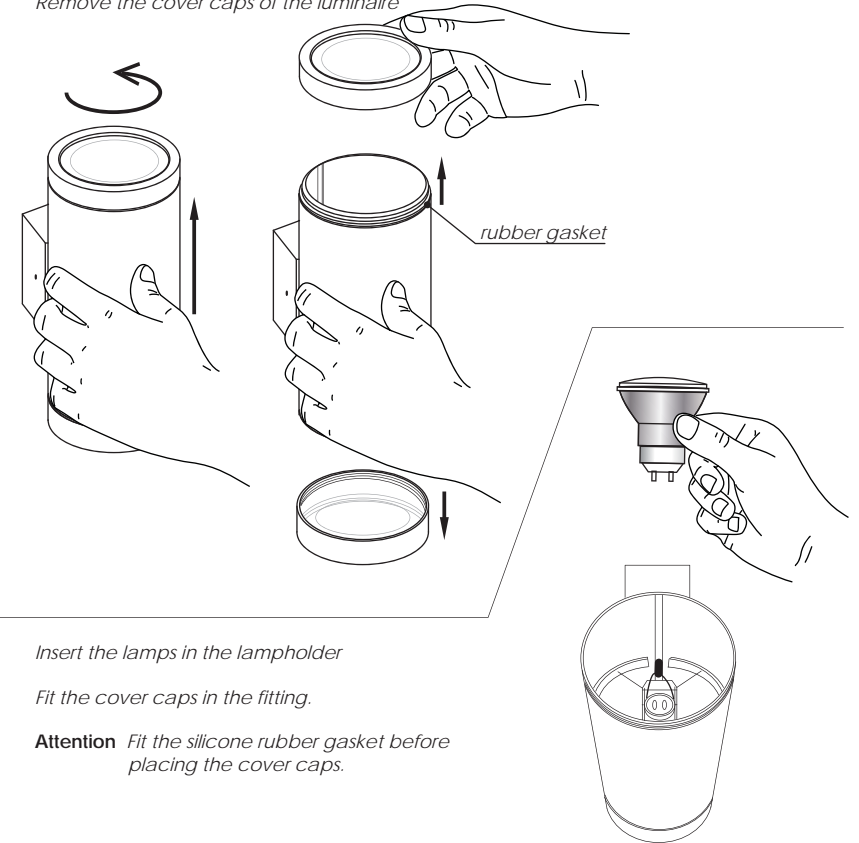


2 Attach the luminaire on the base wall and tighten the (2) screws.



3 Lamp replacement

Remove the cover caps of the luminaire



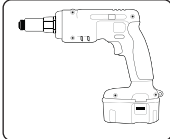
Insert the lamps in the lampholder

Fit the cover caps in the fitting.

Attention Fit the silicone rubber gasket before placing the cover caps.

Tool accessories

allen wrench No 2.5

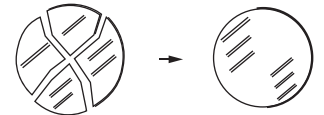


(x2)
(x2)

USER INSTRUCTIONS

- The installation of the unit must be done by a qualified electrician.
- The unit must be earthed in case an earth connecting point exists.
- Ensure that the mains is switched off during servicing.
- Do not use bulb(s) bigger than the indicated on units name-plate or packaging.
- Ensure that after the installation, the unit is properly fixed and the cable clamps (if exist) are well tightened.
- Manufacturer will not accept liability for injury or damage resulting from incorrect use or installation
- The unit is not intended to operate in loop connection.
- Wall plugs and terminals are not included.

CAUTION
Replace any cracked shield



IP65  

Date Issued: December 2014